

TDP-459/324 Parts List

Rev 3.0E



12th Feb 2010

Mitsubishi Paper Mills Ltd.

Table of Contents

	Page
1. Scope -----	1
2. Brake Down table -----	2
3. Parts List -----	3
(1) Thermal Printer DTP-7015 DTP-7015-5A(TDP-459), DTP-7015-5B(TDP-324) -----	3
(2) Thermal Printer DTP-7015 1641105400ES(TDP-459), 1641105400051ES(TDP-324) -----	4
(3) Spool Assy 1641190208051ES -----	6
(4) Cover Roll Assy 1641190160ES -----	7
(5) Cover, Upper Assy 1641190161ES -----	8
(6) Cover, Rear Assy 1641190162ES -----	9
(7) Cover, OP Assy 1641190157ES -----	10
(8) Cover, Side R Assy 1641190159ES -----	11
(9) Filter Assy 1641190152ES -----	12
(10) Cover, Insert Assy 1641105393ES -----	13
(11) Engine Unit 1641105402ES(TDP-459), 1641105402051ES(TDP-324) -----	14
(12) Upper Unit 1641105184ES(TDP-459), 1641105184051ES(TDP-324) -----	15
(13) Lower Unit 1641105403ES(TDP-459), 1641105403051ES(TSP-324) -----	17
(14) Head Cam Shaft Assy 1641105332ES -----	23
(15) Head Sensor Assy 1641105334ES -----	24
(16) Cutter Unit 1641190136ES -----	25
(17) Frame Assy 1641105183ES -----	27
(18) Guide, Transport Assy 1641105185ES -----	29
(19) Ejection Pinch Roller Assy 1641105187ES -----	30
(20) Maine Pinch Cam Shaft Assy 1641105192ES -----	31
(21) Roller, Cleaning Assy 1641105193ES -----	32
(22) Guide, CCD Assy 1641105195ES -----	33
(23) Transport Ejection Cam Shaft Assy 1641105200ES -----	34
(24) Transport Pinch Roller Assy 1641105203ES -----	35
(25) Guide, Loading Upper Assy 1641105338ES -----	36
(26) Operation Assy 1641105342ES -----	37
(27) Switch Assy 1641105343ES -----	38
(28) Sub Stepping Motor Assy 1641105348ES -----	39
(29) Transport Ejection Pinch Sensor Assy 1641105355ES -----	40
(30) Maine Stepping Motor Assy 1641105385ES -----	41
(31) Frame, Feed L Assy 1641105188ES -----	42
(32) Frame, Feed R Assy 1641105189ES -----	43
(33) Power Supply Assy 1641190137ES -----	44
(34) Frame P.C.B. Assy 1641105341ES -----	45
(35) Frame, Engine Center Upper Assy 1641105397ES -----	46
(36) Frame, Engine Center Lower Assy 1641105398ES -----	47
(37) Side Frame L Assy 1641105404ES -----	48
(38) Side Frame R Assy 1641105405ES -----	50
(39) Guide Transport Lower Assy 1641105386ES -----	52
(40) CCD Assy 1641105389ES -----	53
(41) Stopper Spool L Assy 1641105508ES -----	54
(42) Holder Roll Cover Sensor Assy 1641105352ES -----	55
(43) Roll Drive Assy 1641105067ES -----	56
(44) Holder Roll Encode Sensor Assy 1641105349ES -----	57
(45) Stopper Spool R Assy 1641105351ES -----	58
(46) Maine Pinch Sensor Assy 1641105354ES -----	59

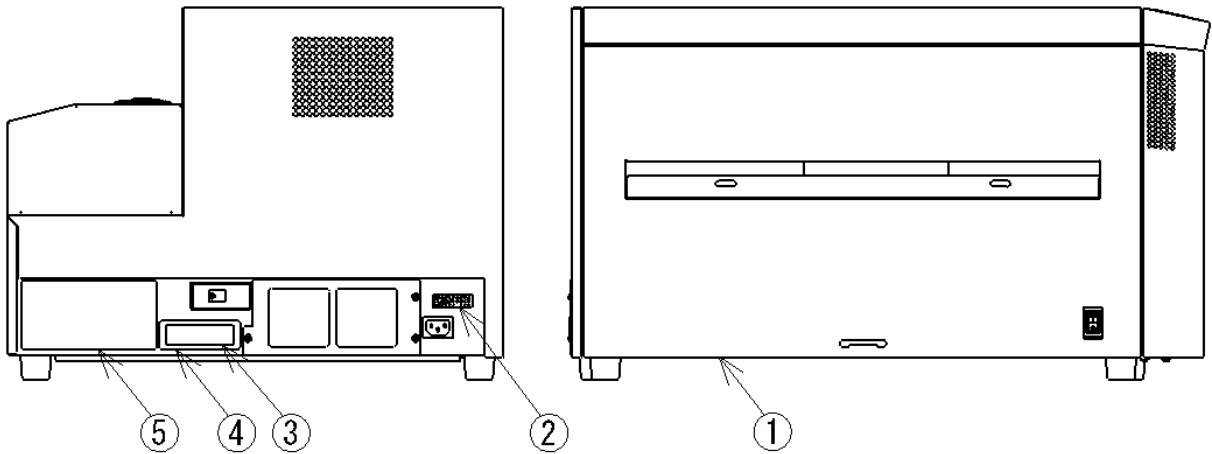
(47) Plate Empty Sensor Assy	1641105344ES -----	60
(48) Tension Pulley Assy	1641105347ES -----	61
(49) Spool Shaft Assy	1641190209051ES-----	62
(50) DC Motor Assy(Head)	1641190141ES -----	63
(51) DC Motor Assy(Main Pinch)	1641190142ES -----	64
(52) DC Motor Assy(Sub Pinch)	1641190143ES -----	65
(53) Frame, Upper L Assy	1641105336ES -----	66
(54) Frame, Upper R Assy	1641105337ES -----	67
(55) Flange, Plate, R Assy	1641190153ES -----	68
(56) Lever, Transport Pinch R Assy	1641105512ES -----	69

1.Scope

The illustrated parts break down (IPB) manual clarifies the parts number, Form and relationships with each other for assembly of parts.

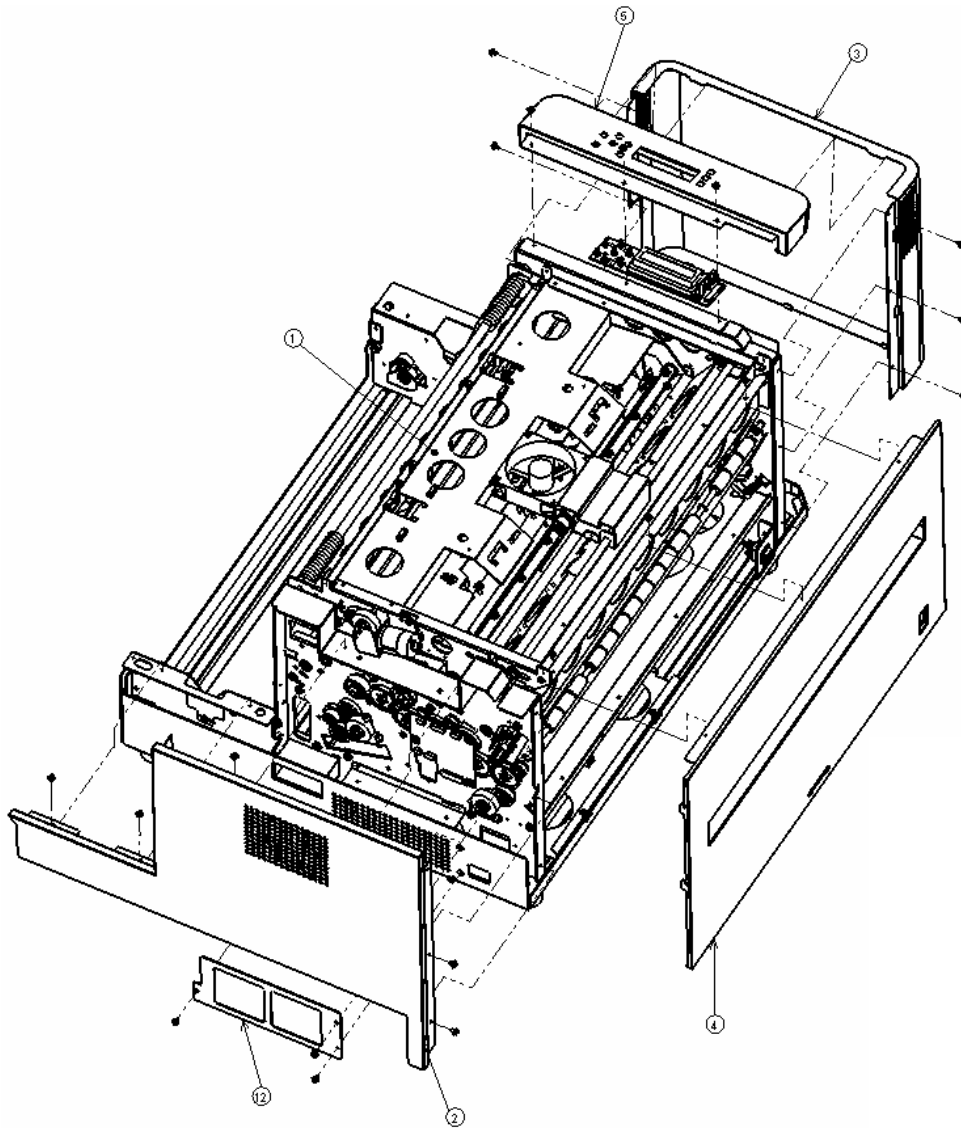
Applicable model	Applicable plate size(width)	Remarks
DTP-7015-5A(TDP-459)	310~459mm	
DTP-7015-5B(TDP-324)	279~459mm	

3.Parts List

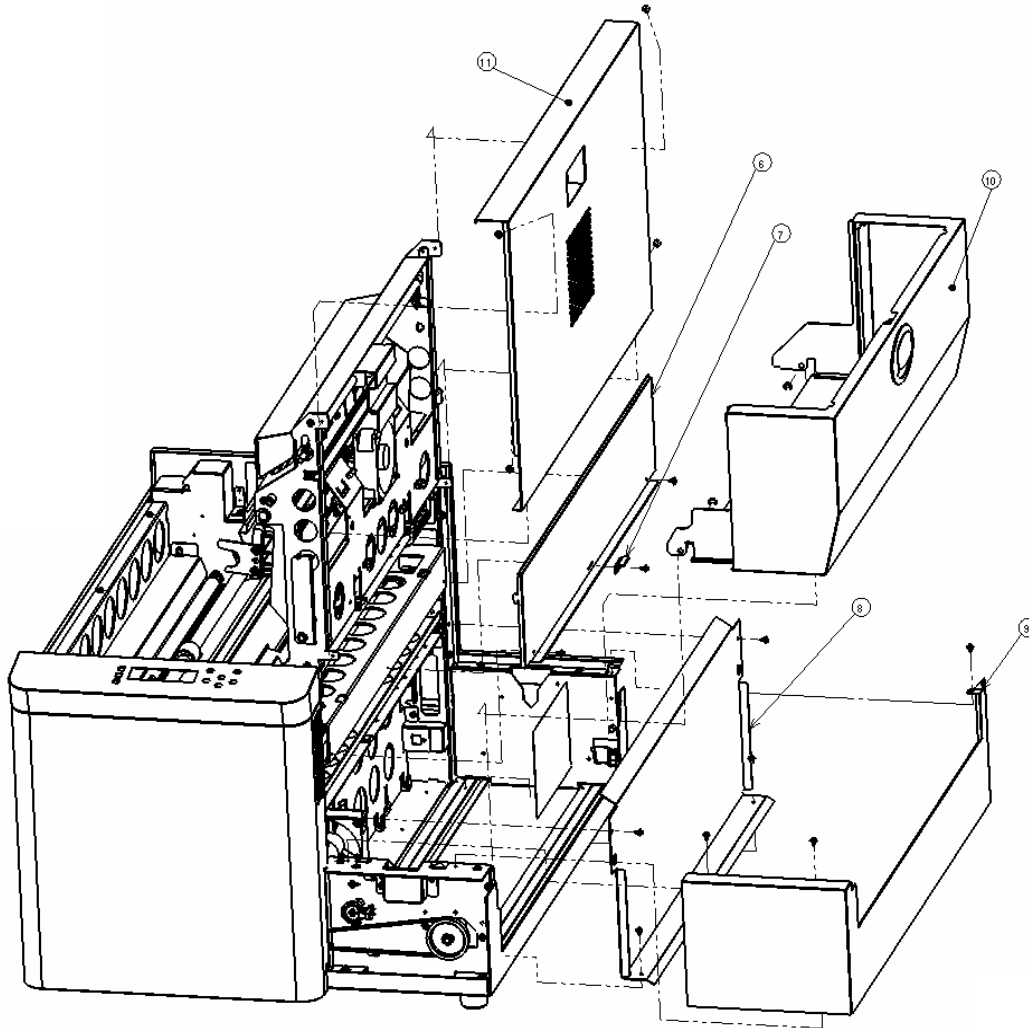


QTY		No	Name	Part No	Fasteners			Remarks
TDP-324	TDP-459				Name	Part No	QTY	
0	1	1	Thermal Printer DTP-7015	1641105400ES				
1	0			1641105400051ES				
1	1	2	Unit Sticker	060961076051ES				
1	1	3	S/N Barcode Sticker	060961583				
1	1	4	Rprotect Sticker	1641131496052ES				
0	1	5	Rating Sticker	1641133209ES				
1	0			1641133313ES				

Name	Thermal Printer DTP-7015
Part Number	DTP-7015-5A(TDP-459), DTP-7015-5B(TDP-324)

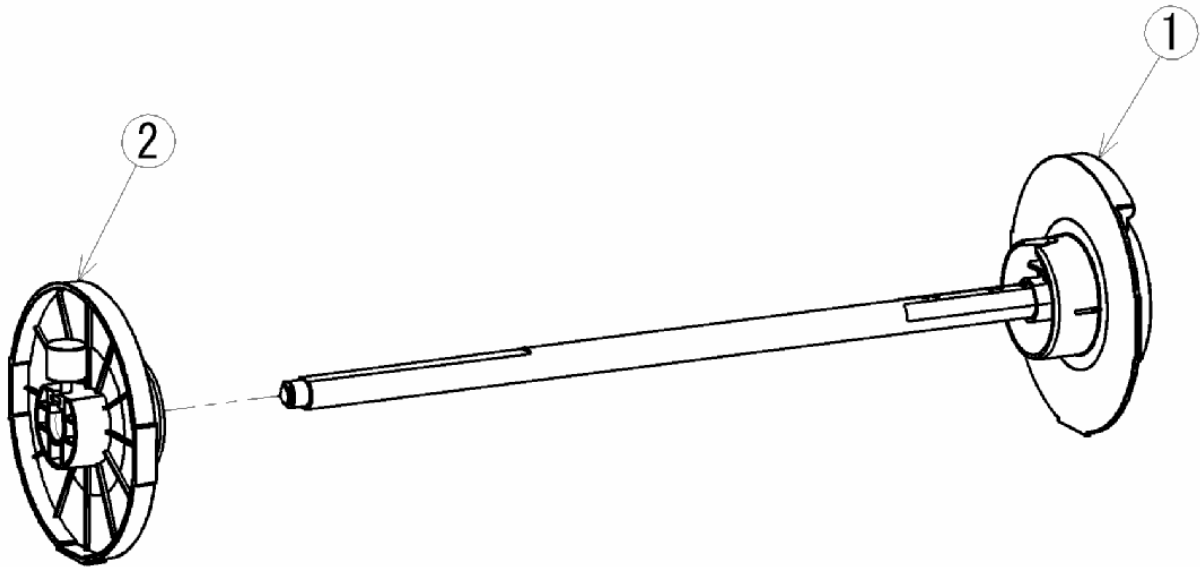


Name	Thermal Printer DTP-7015
Part Number	1641105400ES(TDP-459), 1641105400051ES(TDP-324)



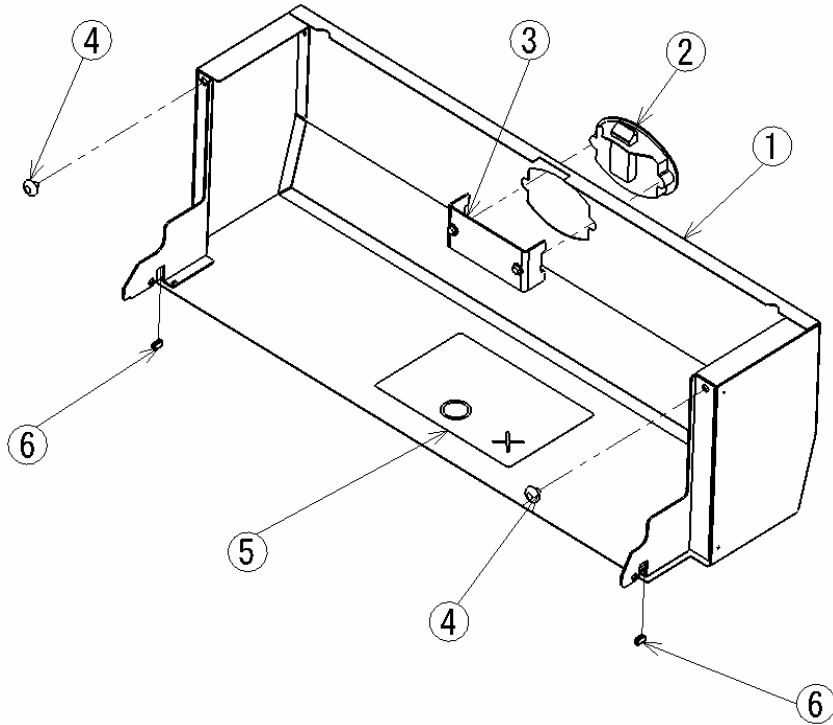
QTY		No	Name	Part No	Fasteners			Remarks
TDP-324	TDP-459				Name	Part No	QTY	
0	1	1	Engine Unit	1641105402ES				
1	0			1641105402051ES				
1	1	2	Cover, Rear Assy	1641190162ES	+screw	ESWG-M3X6-CRF	9 Maintenance Parts	
1	1	3	Cover, Front	1641190156ES	+screw	ESWG-M3X6-CRF	5 Maintenance Parts	
1	1	4	Cover, Side L	1641190158ES	+screw	ESWG-M3X6-CRF	3 Maintenance Parts	
1	1	5	Cover, OP Assy	1641190157ES	+screw	ESWG-M3X6-CRF	3 Maintenance Parts	
1	1	6	Cover, Center	1641190163ES	+screw	ESWG-M3X6-CRF	2 Maintenance Parts	
1	1	7	Stopper, Cover Roll	1641116561ES	+screw	ESWG-M3X6-CRF	1	
1	1	8	Cover, Insert Assy	1641105393ES	+screw	ESWG-M3X6-CRF	4	
1	1	9	Cover, Side R Assy	1641190159ES	+screw	ESWG-M3X6-CRF	3 Maintenance Parts	
1	1	10	Cover Roll Assy	1641190160ES	E-ring	STP-E4	2 Maintenance Parts	
1	1	11	Cover, Upper Assy	1641190161ES	+screw	ESWG-M3X6-CRF	4 Maintenance Parts	
1	1	12	Filter Assy	1641190152ES	+screw	ESWG-M3X6-CRF	3 Maintenance Parts	

Name	Thermal Printer DTP-7015
Part Number	1641105400ES(TDP-459), 1641105400051ES(TDP-324)



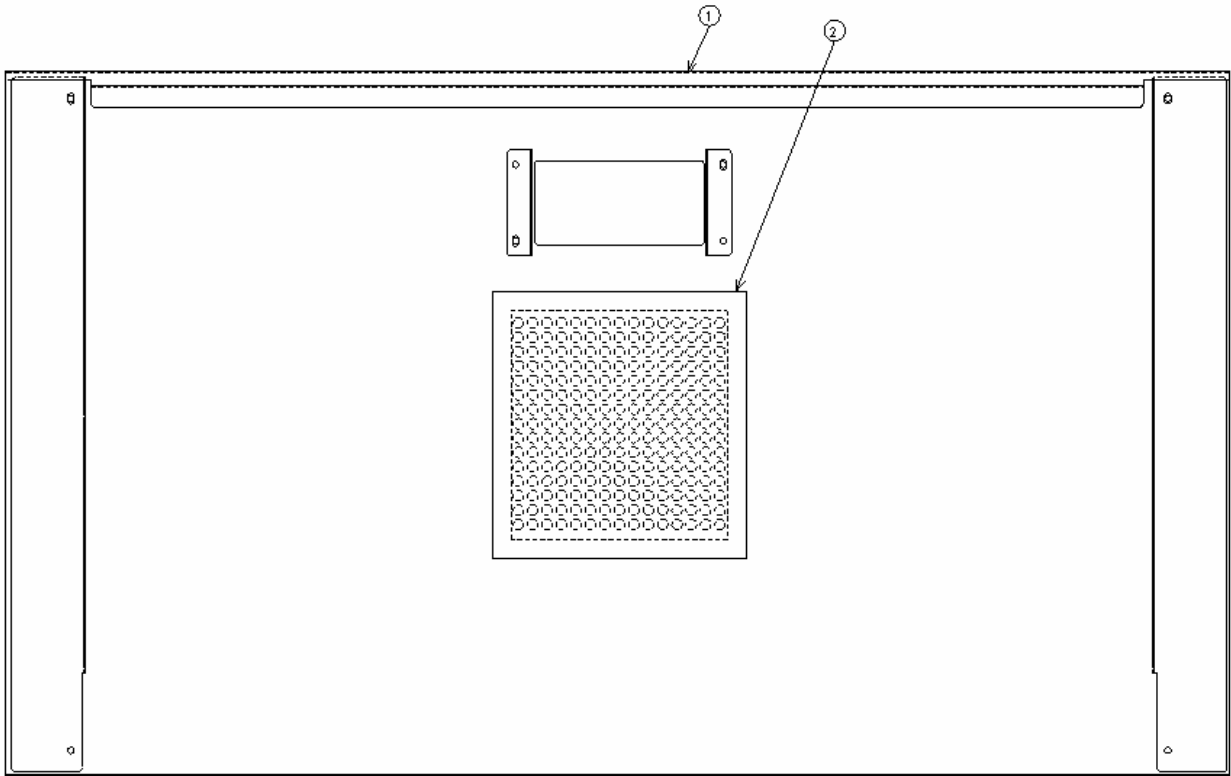
QTY	No	Name	Part No	Fasteners			Remarks
				Name	Part No	QTY	
1	1	Spool Shaft Assy	1641190209051ES				Maintenance Parts
1	2	Flange Assy	1641190210ES				Maintenance Parts

Name	Spool Assy
Part Number	1641190208051ES



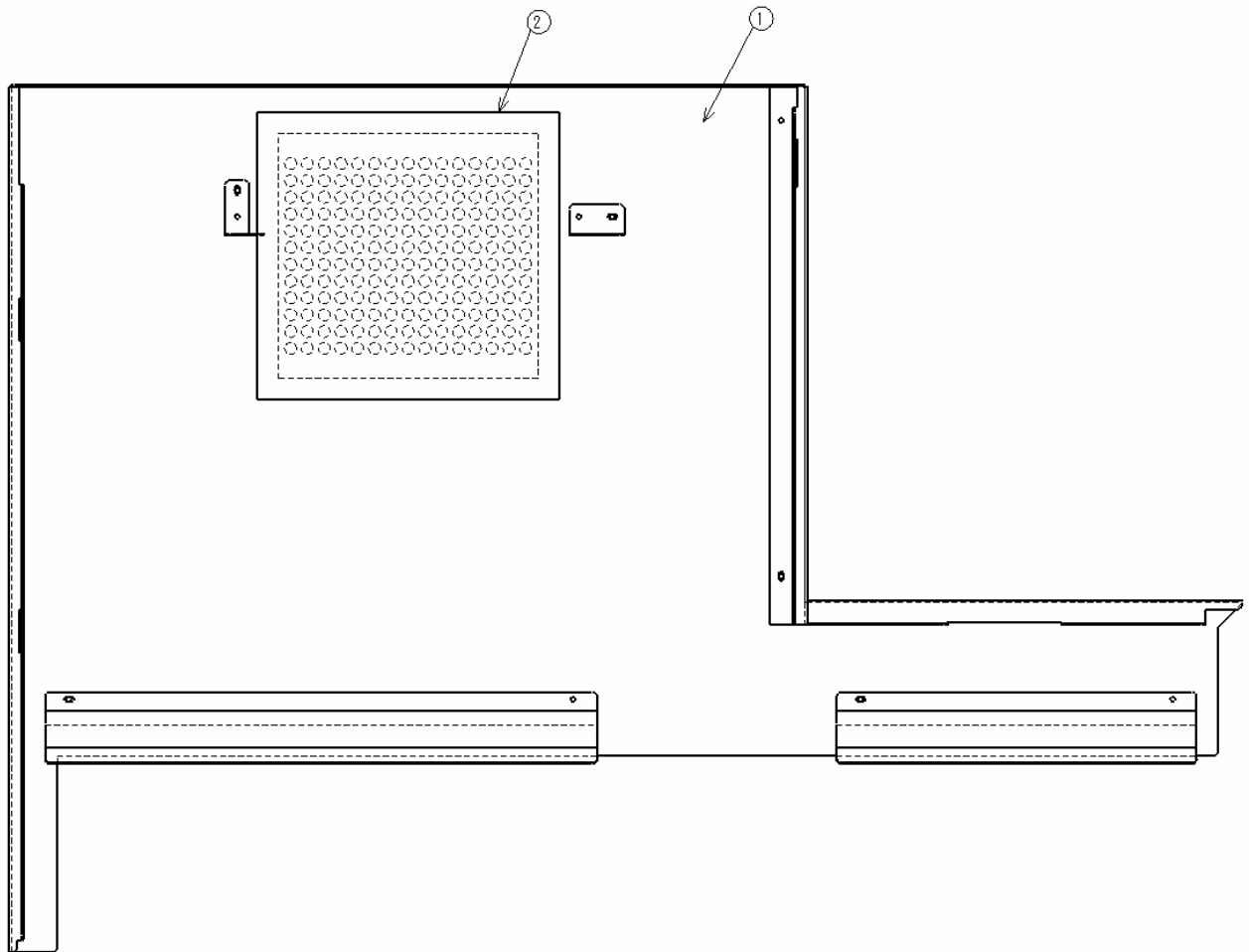
QTY	No	Name	Part No	Fasteners			Remarks
				Name	Part No	QTY	
1	1	Cover, Roll	1641133176ES				
1	2	Latch CP325	0701900003ES001				
1	3	Latch CP325 – Holder	0701900003ES002		0701900003ES003	2	
2	4	Cushion rubber	060914086059				
1	5	Sticker, Cover Plate Set	1641133205ES				
20mm	6	Edging EE16	0706415002051				

Name	Cover, Roll Assy
Part Number	1641190160ES



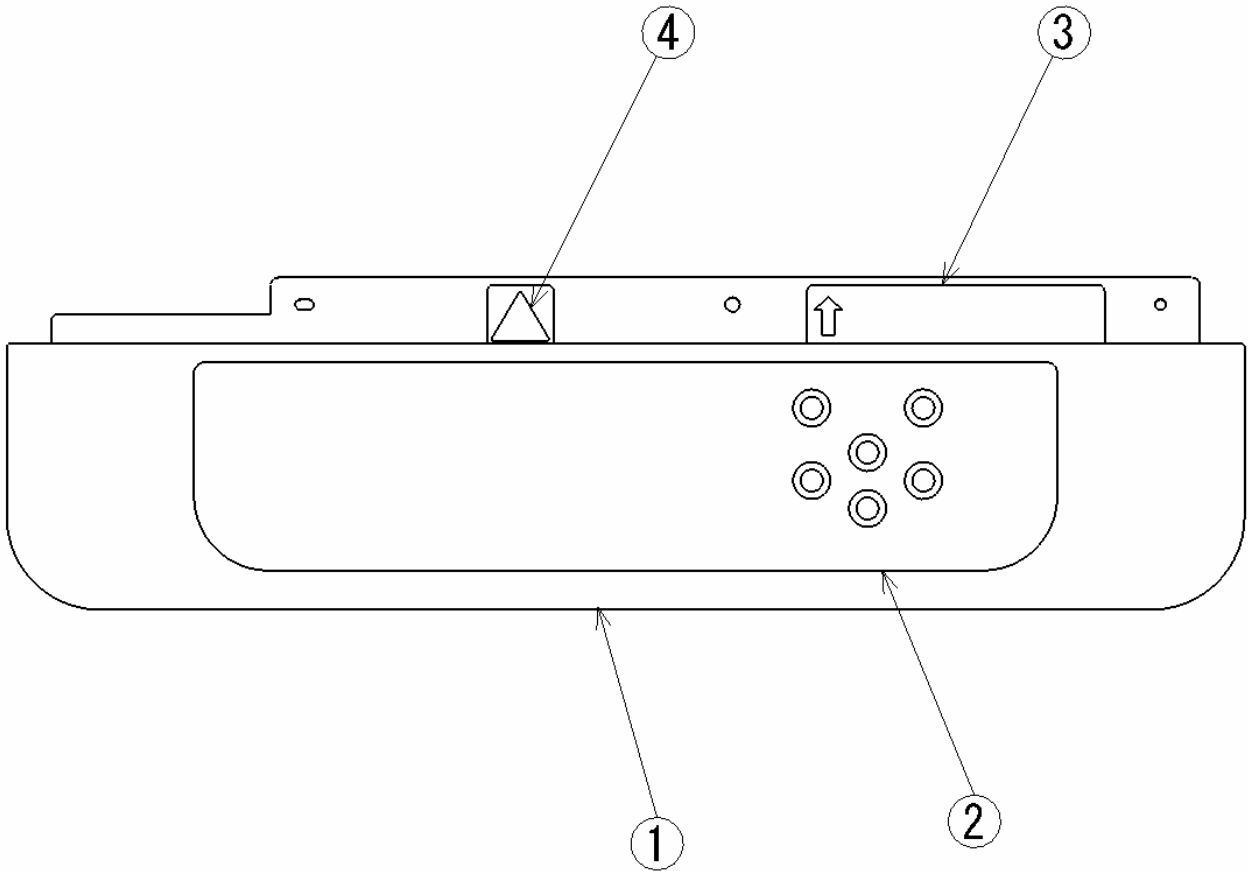
QTY	No	Name	Part No	Fasteners			Remarks
				Name	Part No	QTY	
1	1	Cover, Upper	1641133120ES				
1	2	Air Filter	060917222063ES				

Name	Cover, Upper Assy
Part Number	1641190161ES



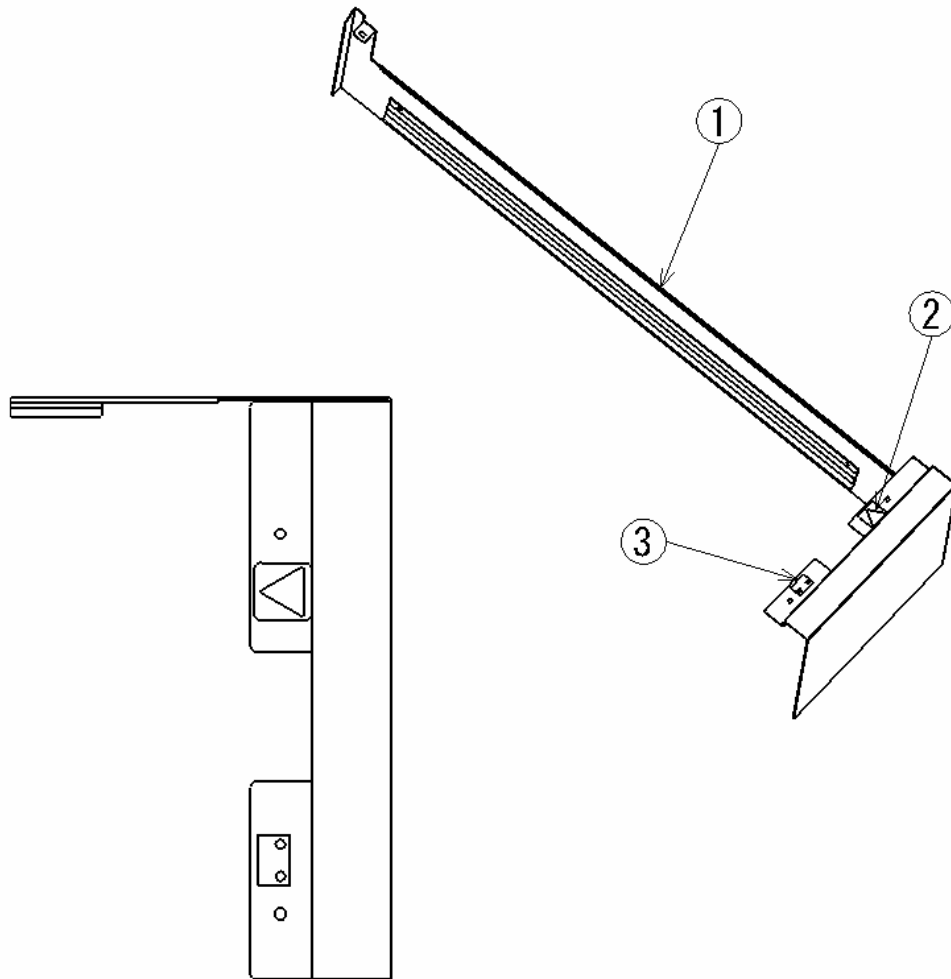
QTY	No	Name	Part No	Fasteners			Remarks
				Name	Part No	QTY	
1	1	Cover, Rear	1641133174ES				
1	2	Air Filter	060917222063ES				

Name	Cover, Rear Assy
Part Number	1641190162ES



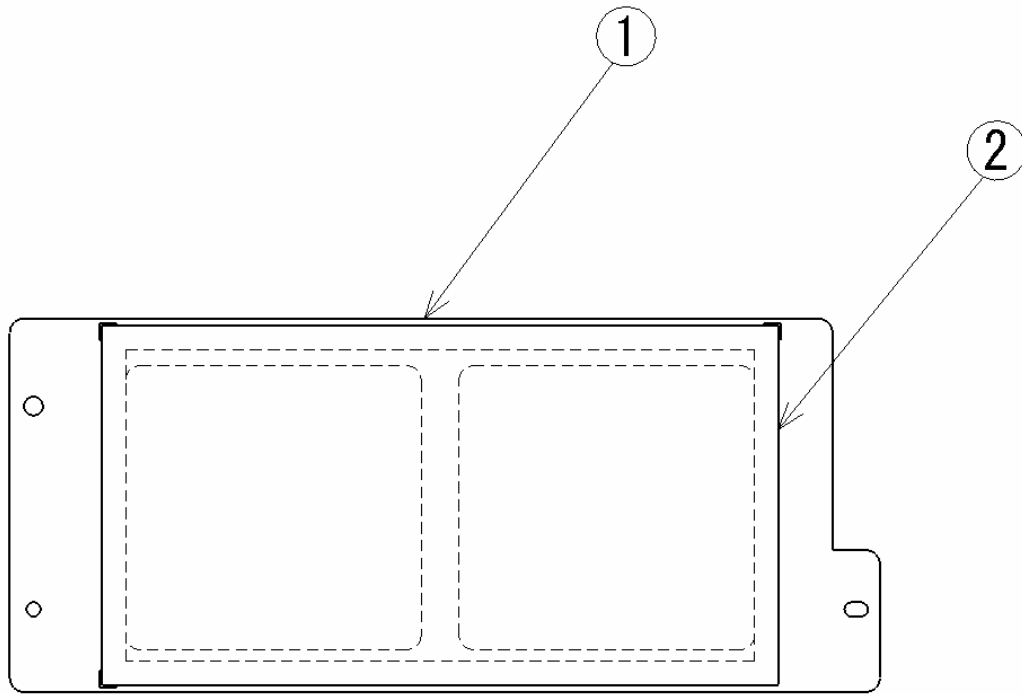
QTY	No	Name	Part No	Fasteners			Remarks
				Name	Part No	QTY	
1	1	Cover, OP	1641133185ES				
1	2	Sticker, Operation	1641133203ES				
1	3	Label, Lock Lever Release	1641133214ES				
1	4	Label, Caution	1641133213ES				

Name	Cover, OP Assy
Part Number	1641190157ES



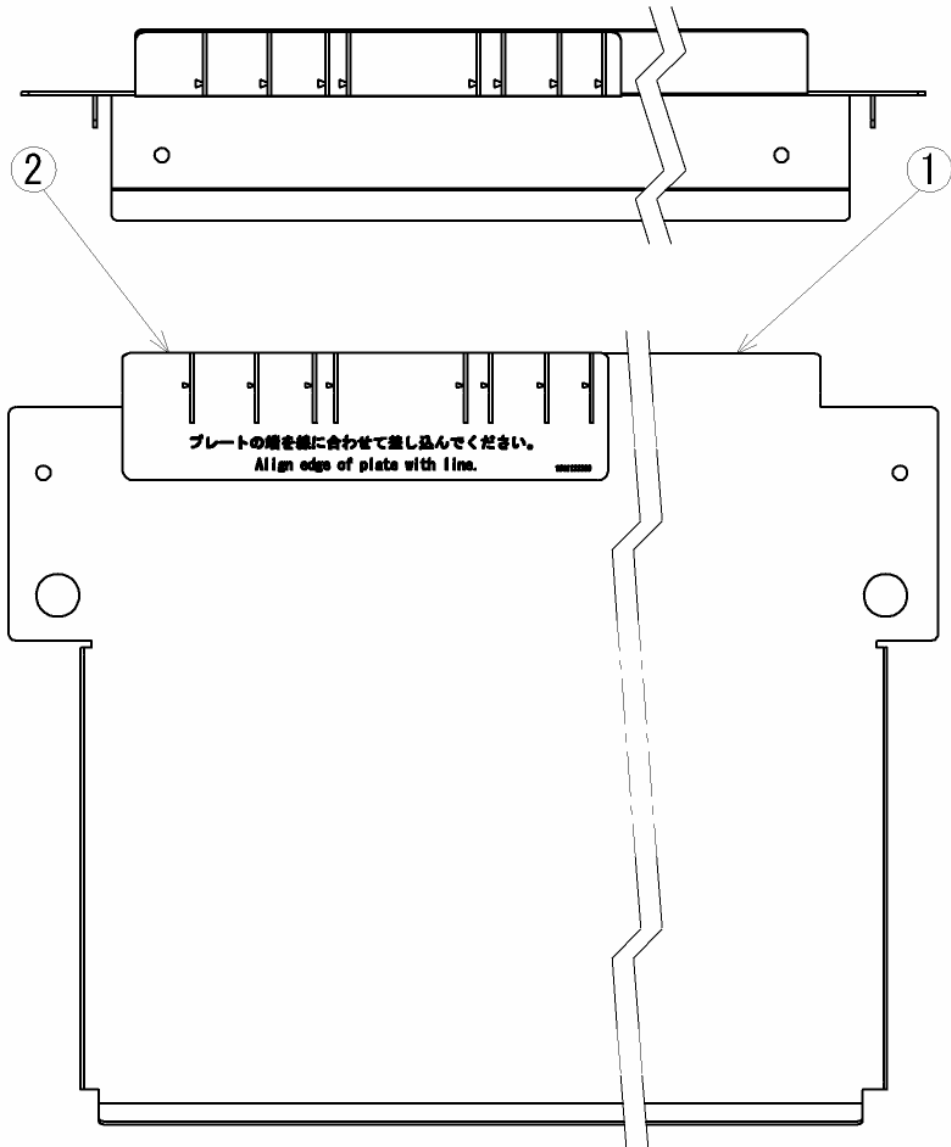
QTY	No	Name	Part No	Fasteners			Remarks
				Name	Part No	QTY	
1	1	Cover, Side R	1641133177ES				
1	2	Label, Caution	1641133213ES				
1	3	Label, LED	1641133206ES				

Name	Cover, Side R Assy
Part Number	1641190159ES



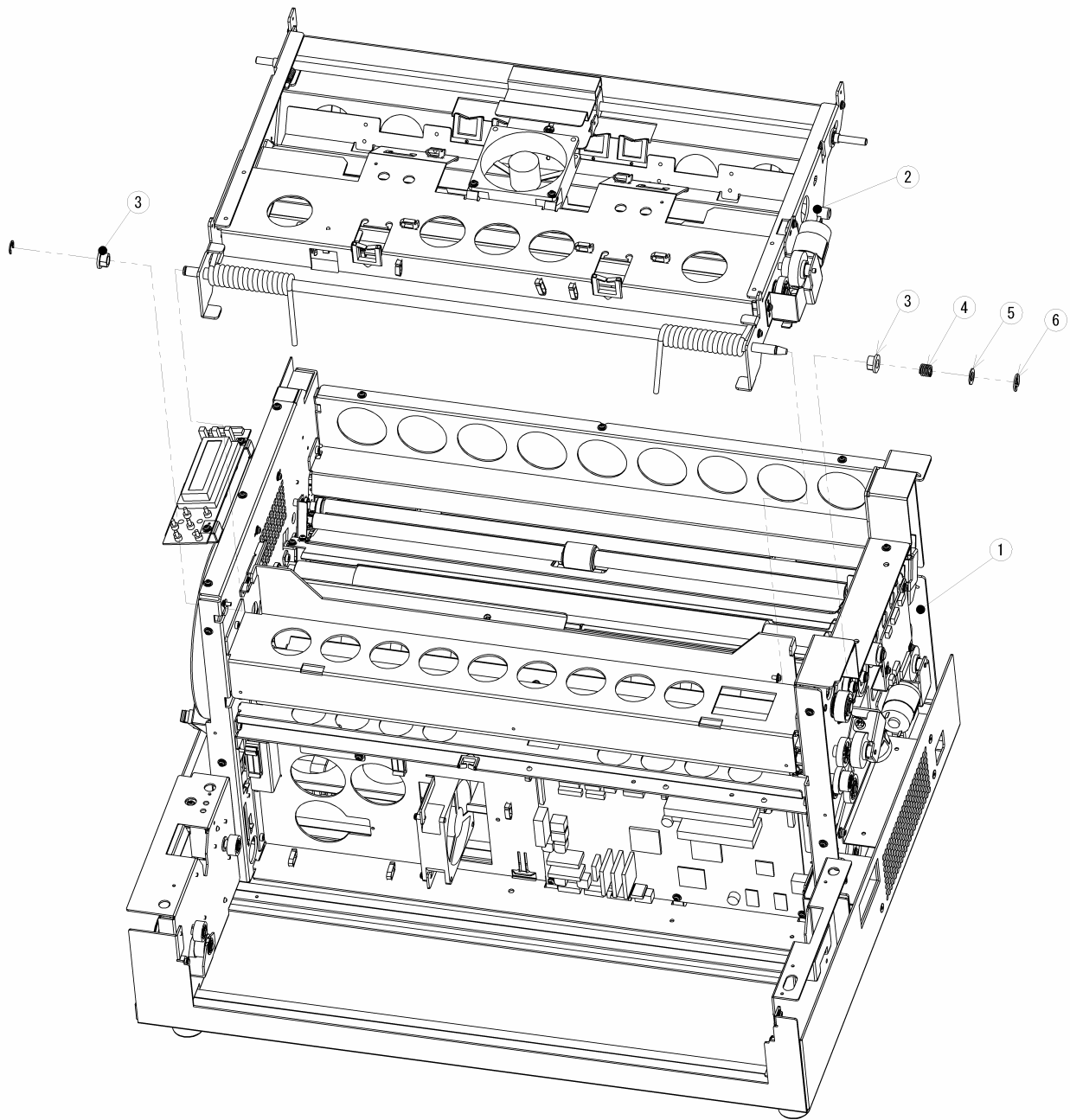
QTY	No	Name	Part No	Fasteners			Remarks
				Name	Part No	QTY	
1	1	Holder, Filter	1641116557ES				
1	2	Air Filter	060917222064ES				

Name	Filter Assy
Part Number	1641190152ES



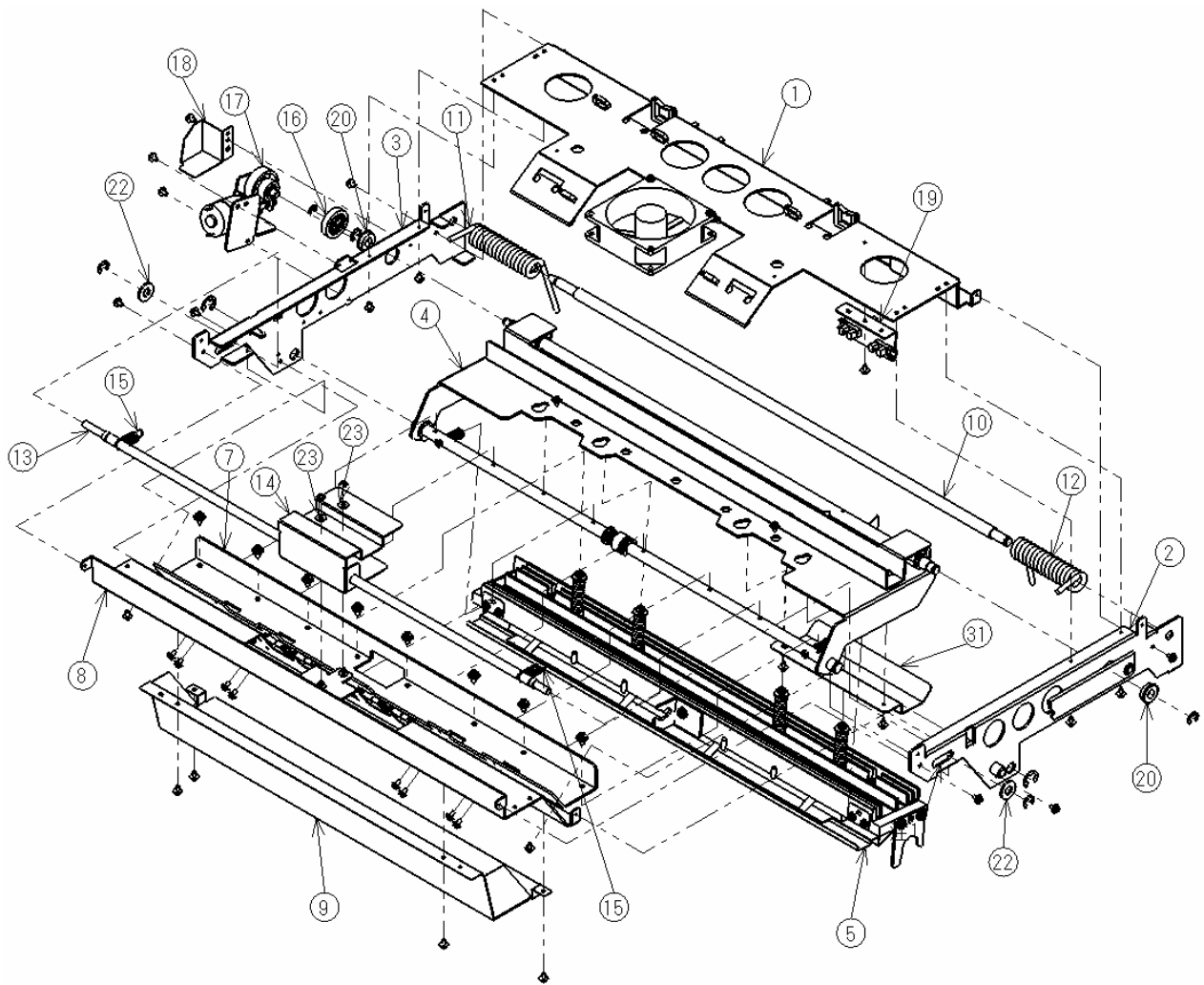
QTY	No	Name	Part No	Fasteners			Remarks
				Name	Part No	QTY	
1	1	Guide, Insert	1641116216ES				
1	2	Sticker, Guide, Plate Set	1641133309ES				

Name	Cover, Insert Assy
Part Number	1641105393ES

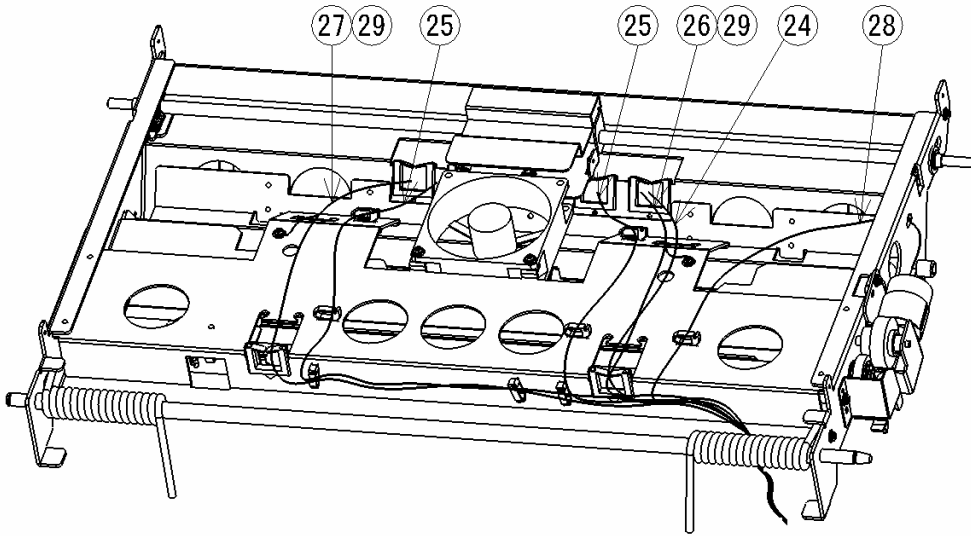


QTY		No	Name	Part No	Fasteners			Remarks
TDP-324	TDP-459				Name	Part No	QTY	
0	1	1	Lower Unit	1641105403ES				
1	0			1641105403051ES				
0	1	2	Upper Unit	1641105184ES	E-ring	STP-E6	1	
1	0			1641105184051ES	E-ring	STP-E6	1	
2	2	3	Bearing	060930069ES				
1	1	4	Spring	060570413053ES				
1	1	5	Washer	060150800016				
1	1	6	Clip Ring	060110635055ES				

Name	Engine Unit
Part Number	1641105402ES(TDP-459)、1641105402051ES(TDP-324)

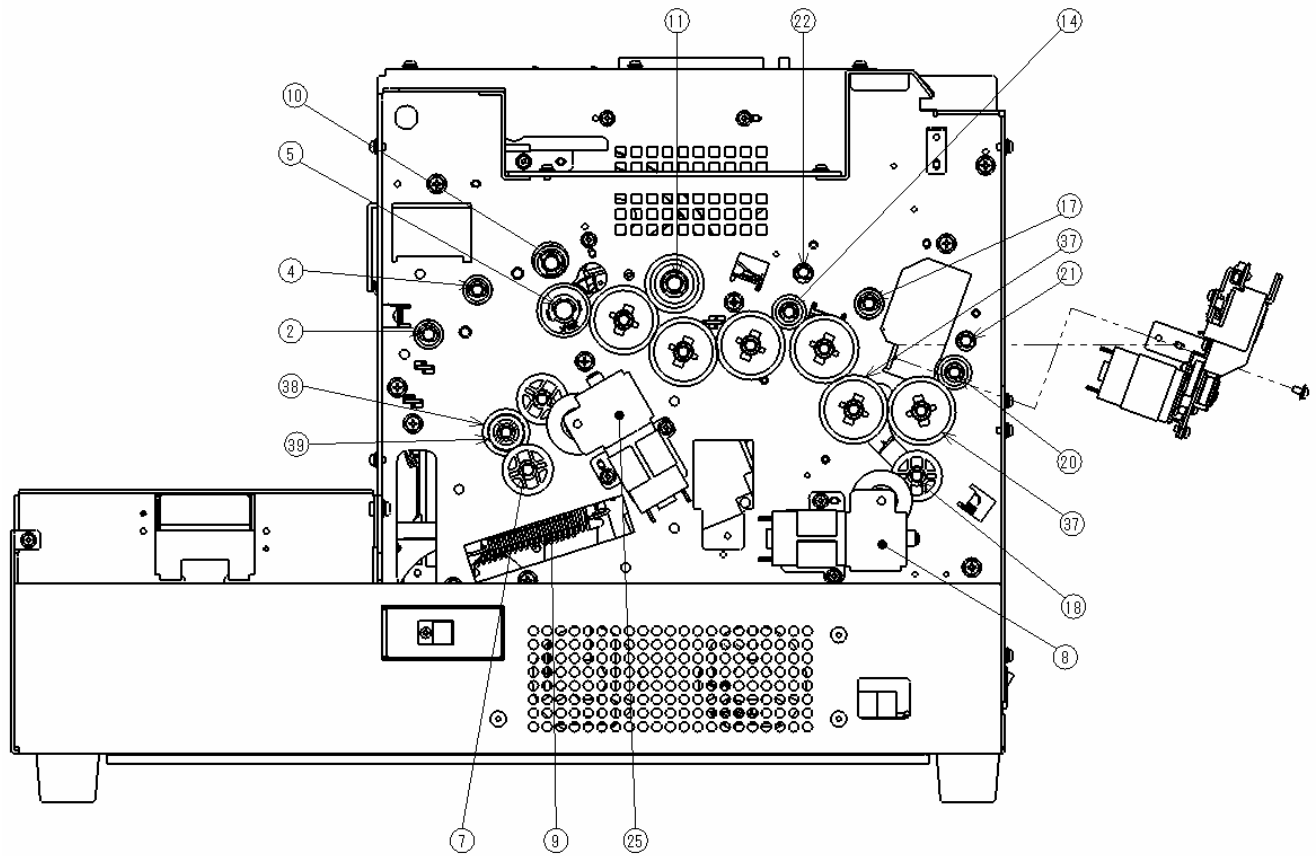
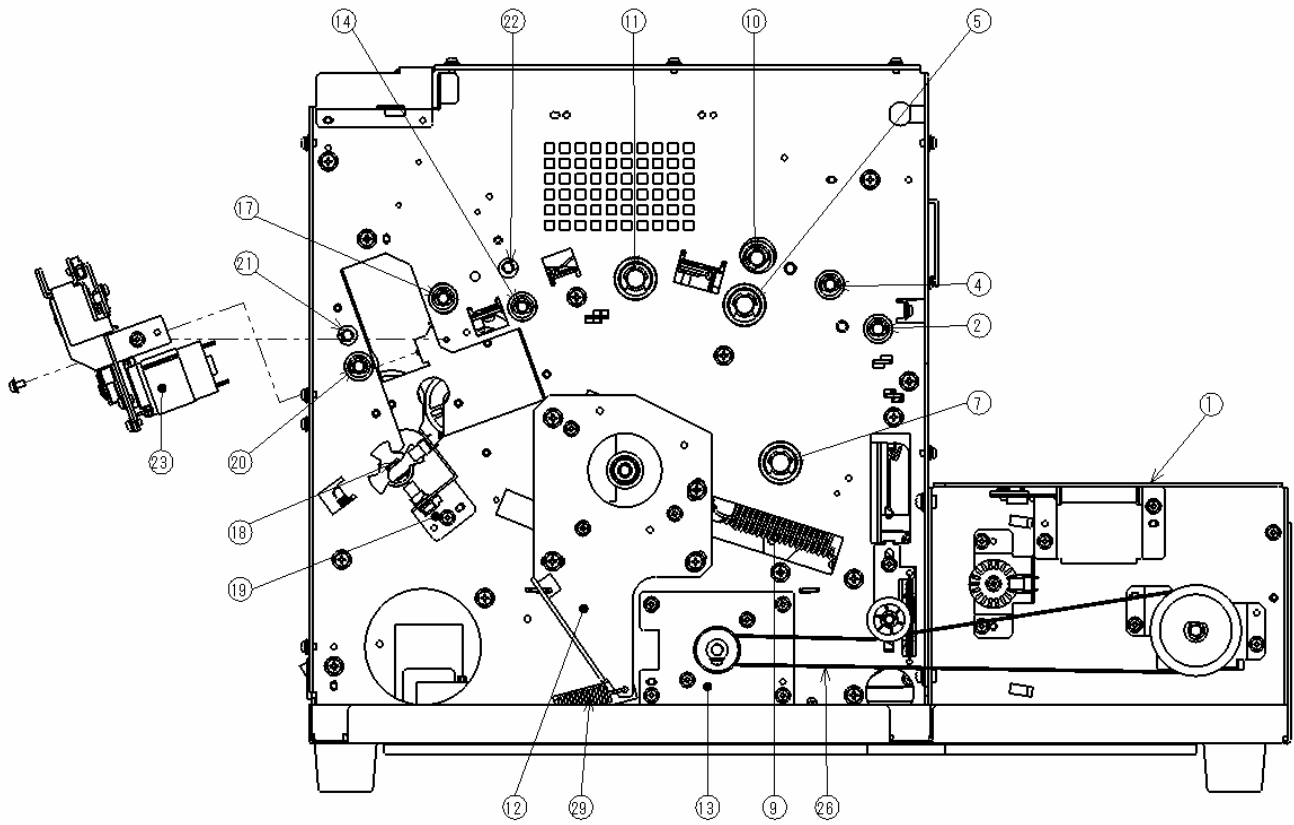


Name	Upper Unit
Part Number	1641105184ES(TDP-459), 1641105184051ES(TDP-324)

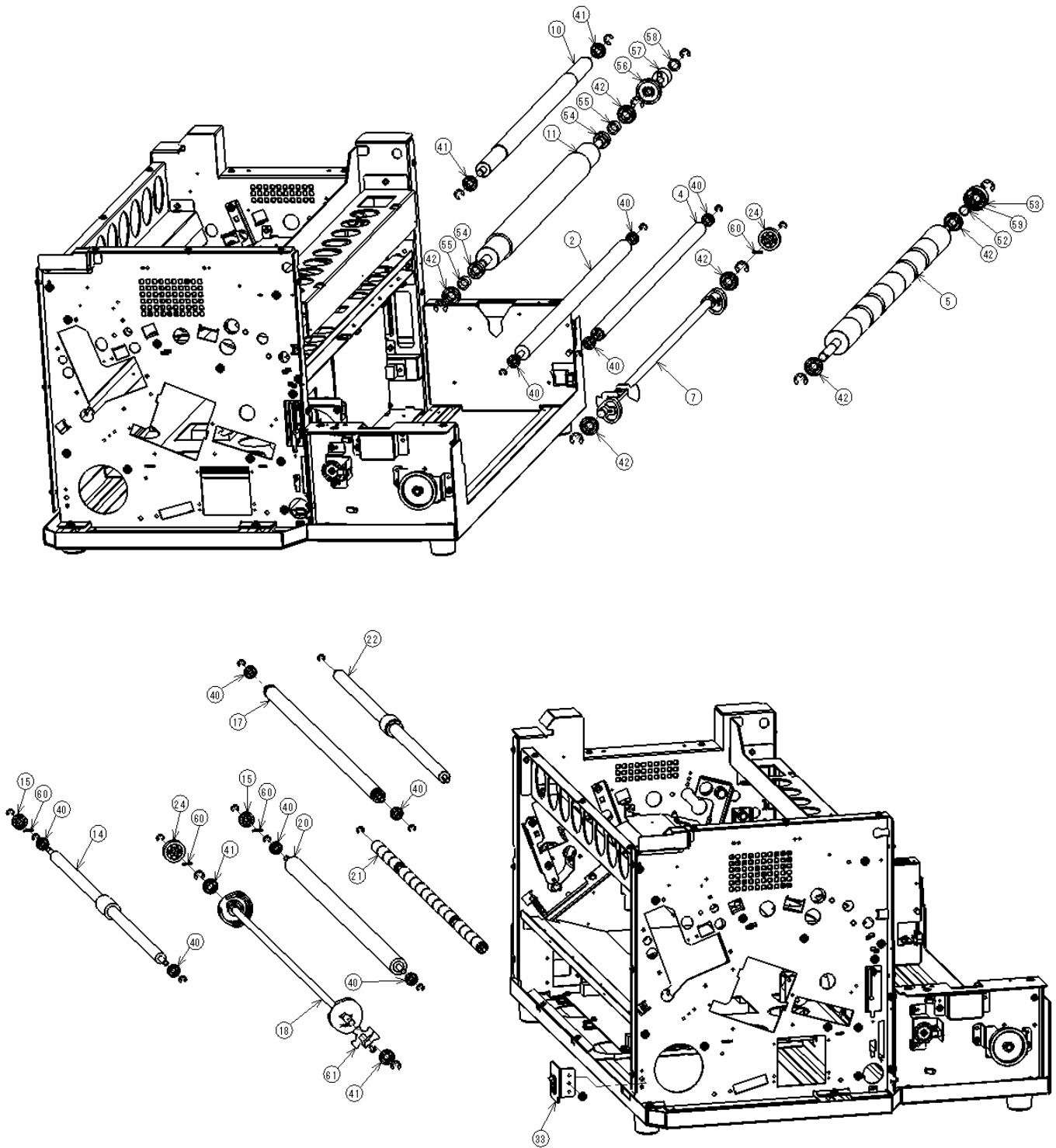


QTY		No	Name	Part No	Fasteners			Remarks
TDP-324	TDP-459				Name	Part No	QTY	
1	1	1	Frame, Upper CR Assy	1641105333ES	+screw	ESWG-M3X6-CRF	6	
1	1	2	Frame, Upper R Assy	1641105337ES				
1	1	3	Frame, Upper L Assy	1641105336ES				
1	1	4	Head Press Lever Assy	1641105387ES	E-ring	STP-E8	2	
0	1	5	Thermal Head Assy	1641190129052ES				Maintenance Parts Important Parts
1	0			1641190129051ES				
1	1	6	Shaft, Head Cam Assy	1641105332ES	E-ring	STP-E6	2	
1	1	7	Reinforcement, Shaft, Head Fulcrum A	1641116415ES	+screw	ESWG-M4X8-CRF	8	
1	1	8	Frame, Upper CF Assy	1641105335ES	+screw	ESWG-M3X6-CRF	14	
1	1	9	Cover, Upper Cable Assy	1641105394ES	+screw	ESWG-M3X6-CRF	4	
1	1	10	Shaft, Upper Fulcrum	1641116100ES				
1	1	11	Spring, Upper Open	1641116277ES				
1	1	12	Spring, Upper Open	1641116277051ES				
1	1	13	Shaft, Upper Lock	1641116202ES	E-ring	STP-E6	2	
1	1	14	Lever, Upper Lock	1641116213ES	E-ring	STPE3	2	
2	2	15	Spring	0705701008051ES				
1	1	16	Gear26	1641112007ES	E-ring	STP-E4	1	
1	1	17	DC Motor Assy(Head)	16411190141ES	+screw	ESWG-M3X6-CRF	2	Maintenance Parts
1	1	18	Cover, Gear	1641116578ES	+screw	ESWG-M3X6-CRF	1	
1	1	19	Head Sensor Assy	1641105334ES	+screw	ESWG-M3X6-CRF	1	
2	2	20	Bearing	060910115ES				
1	1	21	Parallel Pin	PPH-2X12-SUS				
2	2	22	Washer	EWP-8-CRF				
2	2	23	Washer	EWP-4-CRF				
1	1	24	Cable Head EEPROM Relay	0705850284ES				
2	2	25	Cable THV	0705850236ES				
1	1	26	Cable Head 80	0705850233ES	+screw	ESWG-M3X6-CRF	1	
1	1	27	Cable Head 100	0705850232ES	+screw	ESWG-M3X6-CRF	1	
1	1	28	Cable Head Motor / FAN	0705850228ES				
4	4	29	Band	060648011ES				
1	1	31	Cover, Sensor	1641116779ES	+screw	ESWG-M3X6-CRF	2	

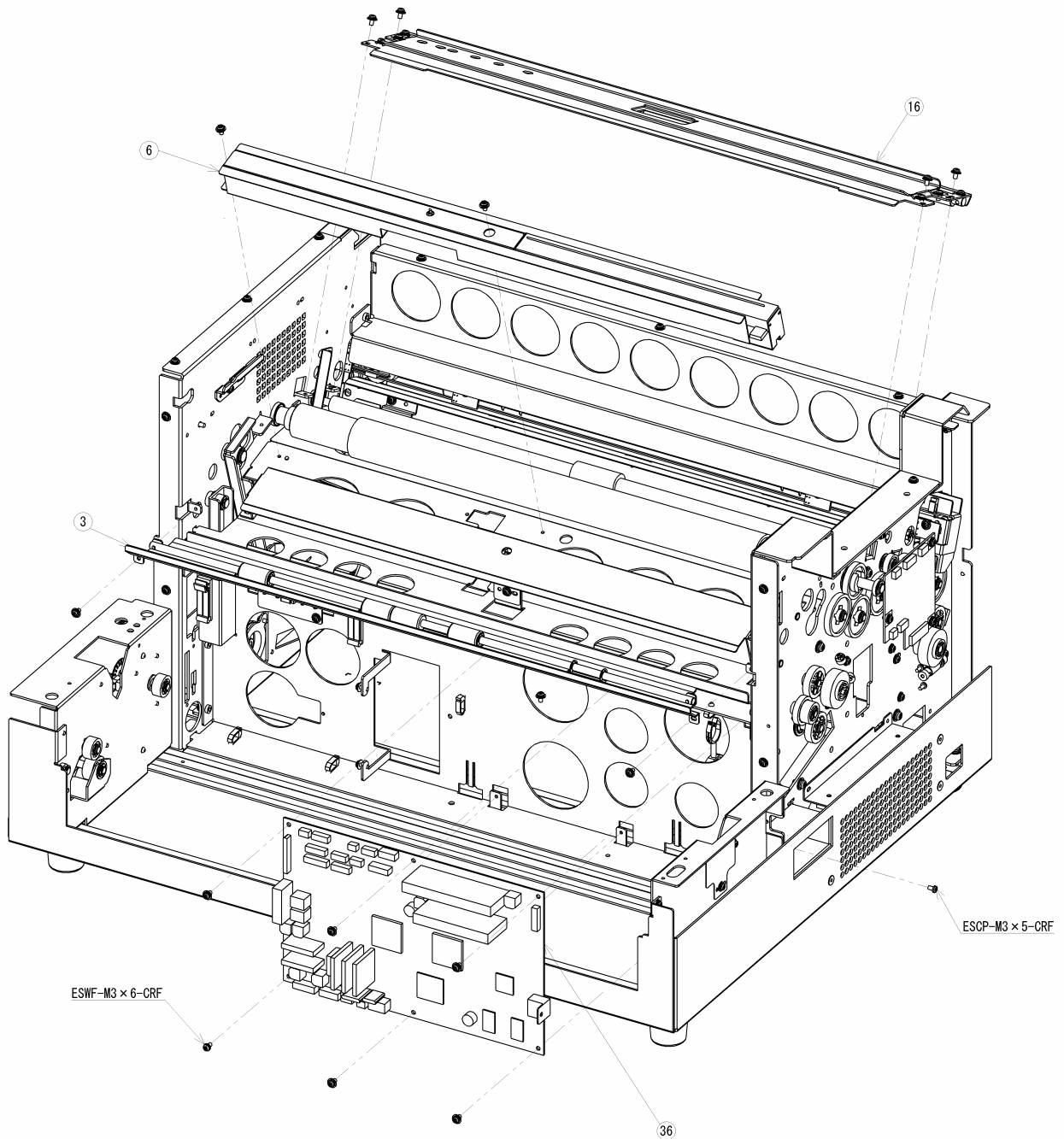
Name	Upper Unit
Part Number	1641105184ES(TDP-459), 1641105184051ES(TDP-324)



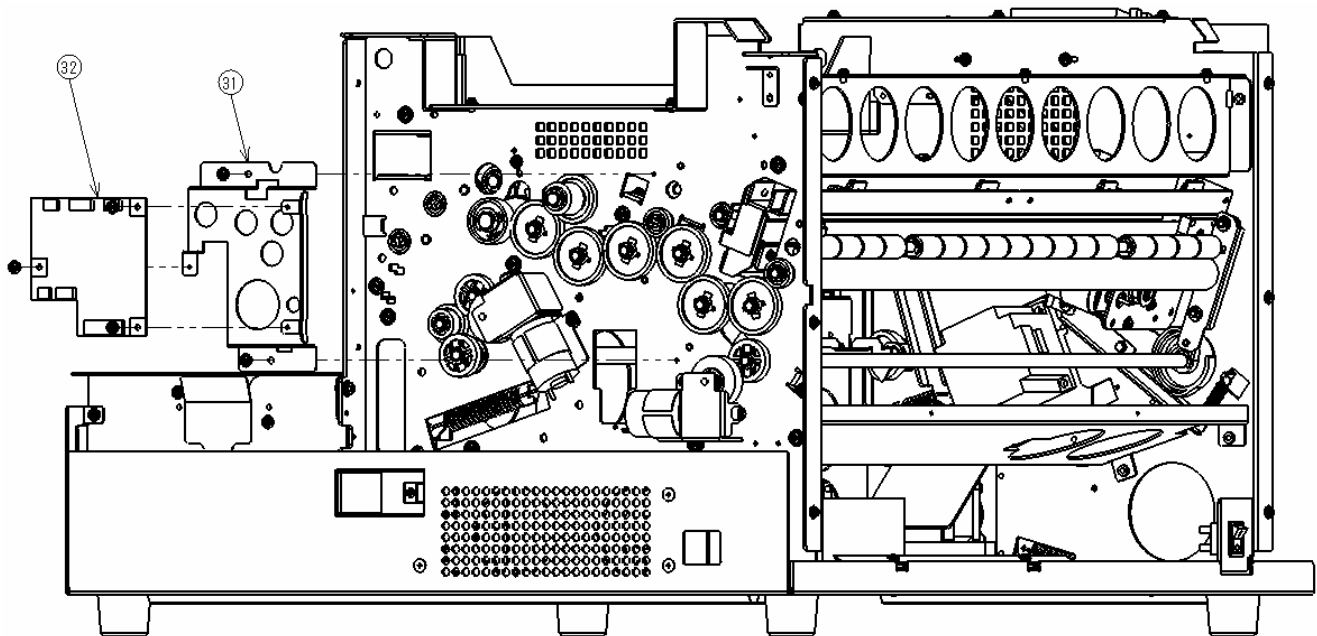
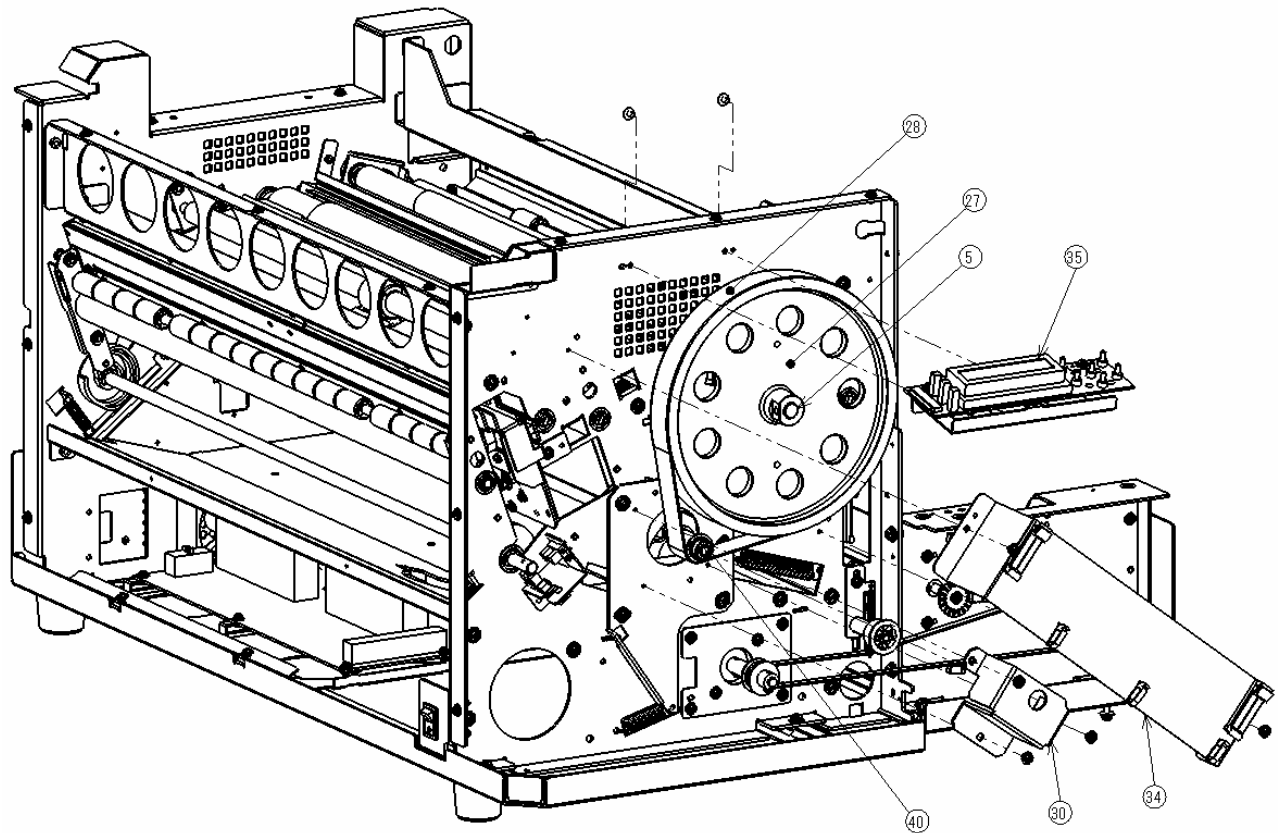
Name	Lower Unit
Part Number	1641105403ES(TDP-459), 1641105403051ES(TDP-324)



Name	Lower Unit
Part Number	1641105403ES(TDP-459), 1641105403051ES(TDP-324)



Name	Lower Unit
Part Number	1641105403ES(TDP-459), 1641105403051ES(TDP-324)



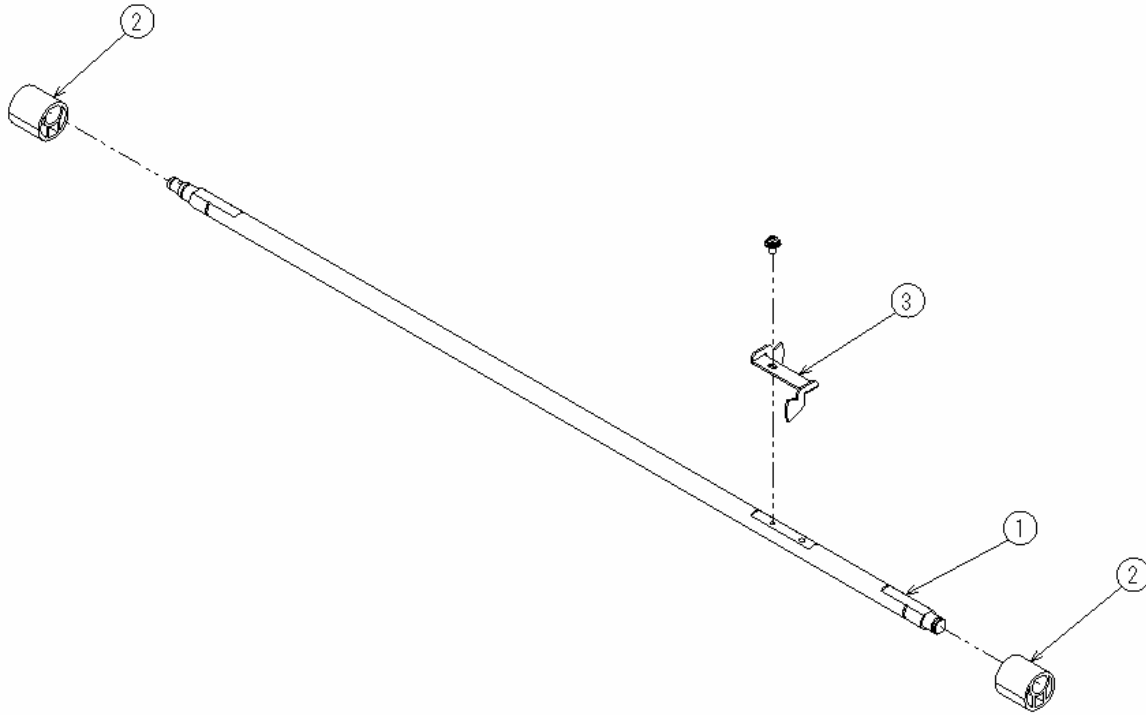
Name	Lower Unit
Part Number	1641105403ES(TDP-459), 1641105403051ES(TDP-324)

QTY		No	Name	Part No	Fasteners			Remarks
TDP-324	TDP-459				Name	Part No	QTY	
1	1	1	Frame Assy	1641105183ES				
1	1	2	Roller, Feed Guide Lower	1641116235ES	E-ring	STP-E4	2	
1	1	3	Guide, Loading Upper Assy	1641105338ES	+screw	ESWG-M3X6-CRF	2	
1	1	4	Roller, Cleaning	1641190128ES	E-ring	STP-E4	2	Maintenance Parts
1	1	5	Roller, Feed	1641190140ES	E-ring	STP-E8	2	Maintenance Parts
1	1	6	Guide, CCD Assy	1641105195ES	+screw	ESWG-M3X6-CRF	2	
1	1	7	Maine Pinch Cam Shaft Assy	1641105192ES	E-ring	STP-E8	2	
1	1	8	DC Motor Assy (Sub Pinch)	1641190143ES	+screw	ESWG-M3X6-CRF	2	Maintenance Parts
2	2	9	Spring	0705701008060ES				
0	1	10	Roller, Maine Pinch	1641190125ES	E-ring	STP-E6	2	Maintenance Parts Important Parts
1	0			1641190125051ES	E-ring	STP-E6	2	Maintenance Parts Important Parts
0	1	11	Roller, Platen	1641190124ES	E-ring	STP-E6	2	Maintenance Parts Important Parts
1	0			1641190124051ES	E-ring	STP-E6	2	Maintenance Parts Important Parts
1	1	12	Maine Stepping Motor Assy	1641105385ES	+screw	ESWG-M4X8-CRF	4	
1	1	13	SUB Stepping Motor Assy	1641105348ES	+screw	ESWG-M3X6-CRF	4	
1	1	14	Roller, Transport	1641190126ES	E-ring	STP-E4	2	Maintenance Parts
2	2	15	Gear35	060050326ES	E-ring	STP-E4	2	
1	1	16	Guide, Transport Assy	1641105185ES	+screw	ESWG-M3X6-CRF	4	
1	1	17	Roller, Cleaning Assy	1641105193ES	E-ring	STP-E4	2	
1	1	18	Transport Ejection Cam Shaft Assy	1641105200ES	E-ring	STP-E6	2	
1	1	19	Transport Ejection Pinch Sensor Assy	1641105355ES	+screw	ESWG-M3X6-CRF	1	
1	1	20	Roller, Ejection	1641190127ES	E-ring	STP-E4	2	Maintenance Parts
1	1	21	Ejection Pinch Roller Assy	1641105187ES	E-ring	STP-E4	1	
1	1	22	Transport Pinch Roller Assy	1641105203ES				
1	1	23	Cutter Unit	1641190136ES	+screw	ESWG-M3X6-CRF	2	Maintenance Parts Important Parts
2	2	24	Gear26	1641112007ES	E-ring	STP-E4	2	
1	1	25	DC Motor Assy (Maine Pinch)	1641190142ES	+screw	ESWG-M3X6-CRF	2	Maintenance Parts
1	1	26	Timing Belt	1641190139ES				Maintenance Parts
1	1	27	Timing Pulley	0700199025ES	+screw	BHC-M4X12	1	
					Set screw	ESHF-M4X6-CRF	1	
1	1	28	Timing Belt	1641190138ES				Maintenance Parts
1	1	29	Spring	0705701007063ES				
1	1	30	Holder, Motor Shaft	1641116360ES	+screw	ESWG-M3X6-CRF	3	
1	1	31	Bracket , P.C.B.	1641116627ES	+screw	ESWG-M3X6-CRF	2	
1	1	32	HSSV14JUNCTIONF Assy	1609001600ES	+screw	ESWG-M3X6-CRF	3	
1	1	33	Switch Assy	1641105343ES	+screw	ESWG-M4X8-CRF	1	
1	1	34	Cable Guide Assy	1641105384ES	+screw	ESWG-M3X6-CRF	2	
1	1	35	Operation Assy	1641105342ES	+screw	ESWG-M3X6-CRF	2	
1	1	36	HSSV14 CONT F Assy	1641190149ES	+screw	ESWG-M3X6-CRF	5	
					+screw	ESWF-M3X6-CRF	1	
					+screw	ESCP-M3X5CRF	1	Maintenance Parts Important Parts
2	2	37	Gear69	060050143ES	E-ring	STP-E4	2	
1	1	38	Gear24	060050331ES				
1	1	39	Gear18	060050320ES	E-ring	STP-E4	1	
11	11	40	Bearing	060910114ES				

Name	Lower Unit
Part Number	1641105403ES(TDP-459), 1641105403051ES(TDP-324)

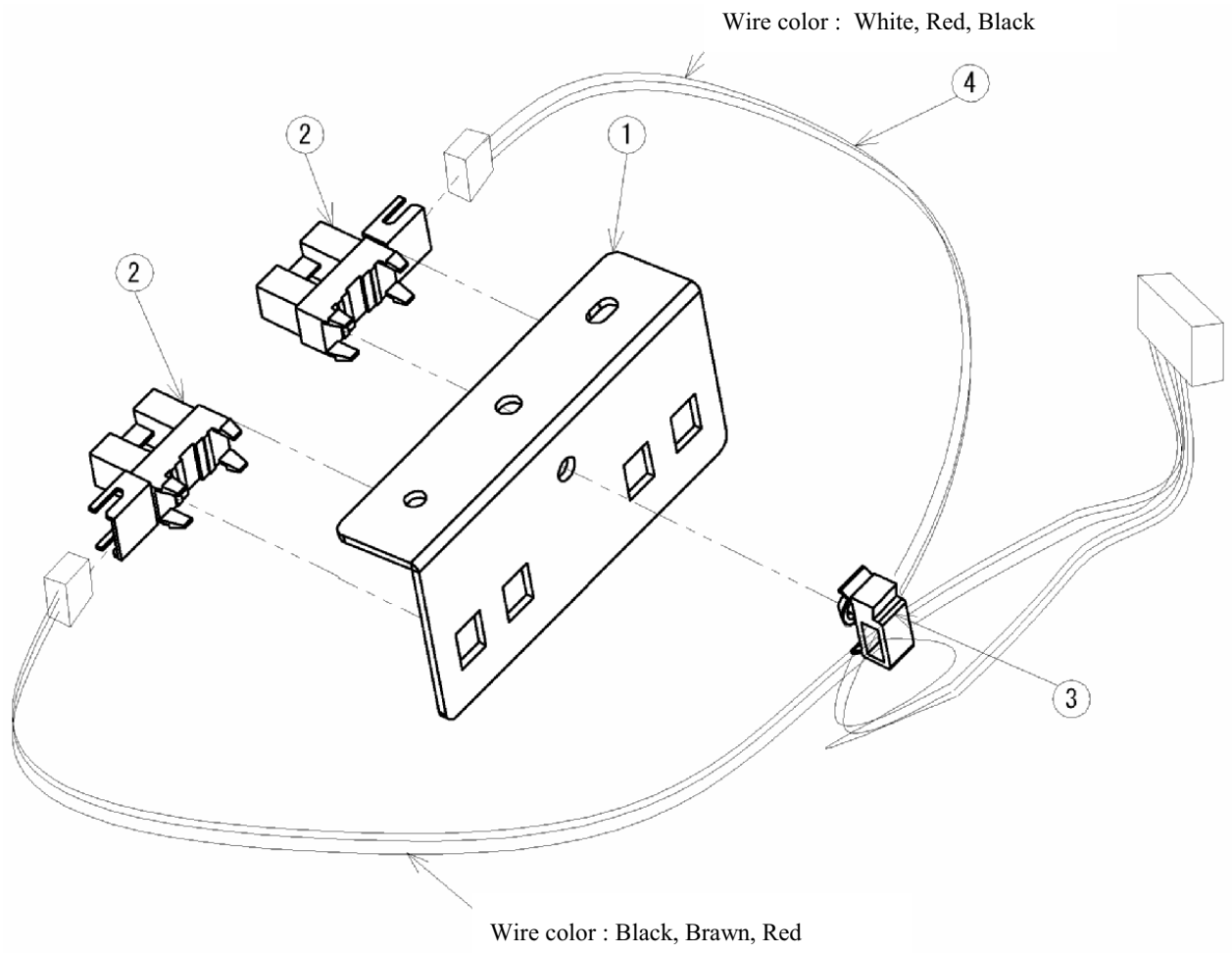
QTY		No	Name	Part No	Fasteners			Remarks
TDP-324	TDP-459				Name	Part No	QTY	
4	4	41	Bearing	060910115ES				
6	6	42	Bearing LF1910ZZ	060910150				
1	1	43	FFC LCD Operation	0705890022ES				
1	1	44	Cable AC Switch	0705850094053ES				
1	1	45	Cable AC Inlet	0705850110052ES				
1	1	46	Cable Power	0705850208ES				
1	1	47	Cable Pinch Motor	0705850229ES				
1	1	48	Cable THV adjust	0705850235ES				
1	1	49	Cable Cutter Motor	0705850276ES				
1	1	50	Cable JUNCTION	0705850277ES				
1	1	51	Cable Cutter Sensor Relay	0705850279ES				
1	1	52	Spring	0705704004069ES				
1	1	53	Gear55(m0.5)	0700501049ES				
2	2	54	Bearing L1910ZZ	060910147				
2	2	55	Collar	0702610002051ES				
1	1	56	Gear58	0700501037ES				
1	1	57	Torque Limiter OTLC84000C	0709139005ES				
1	1	58	Collar	060261000011ES	E-ring	STP-E6	1	
1	1	59	Parallel Pin	PPH-2X14-SUS				
4	4	60	Parallel Pin	PPH-2X12-SUS				
1	1	61	Transport / Ejection Pinch Sensor	1641116256ES	+screw	ESWG-M3X6-CRF	1	

Name	Lower Unit
Part Number	1641105403ES(TDP-459), 1641105403051ES(TDP-324)



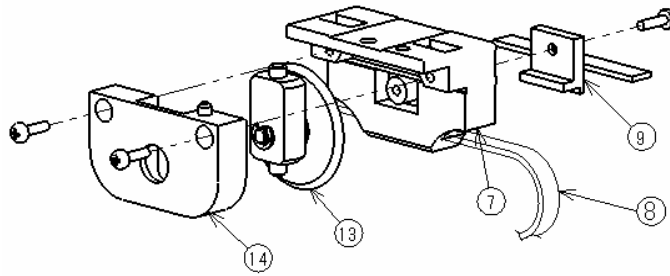
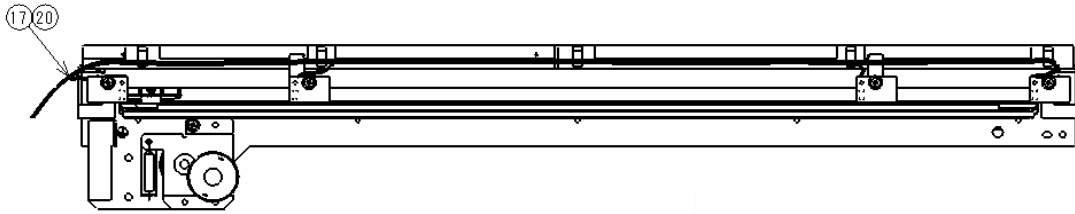
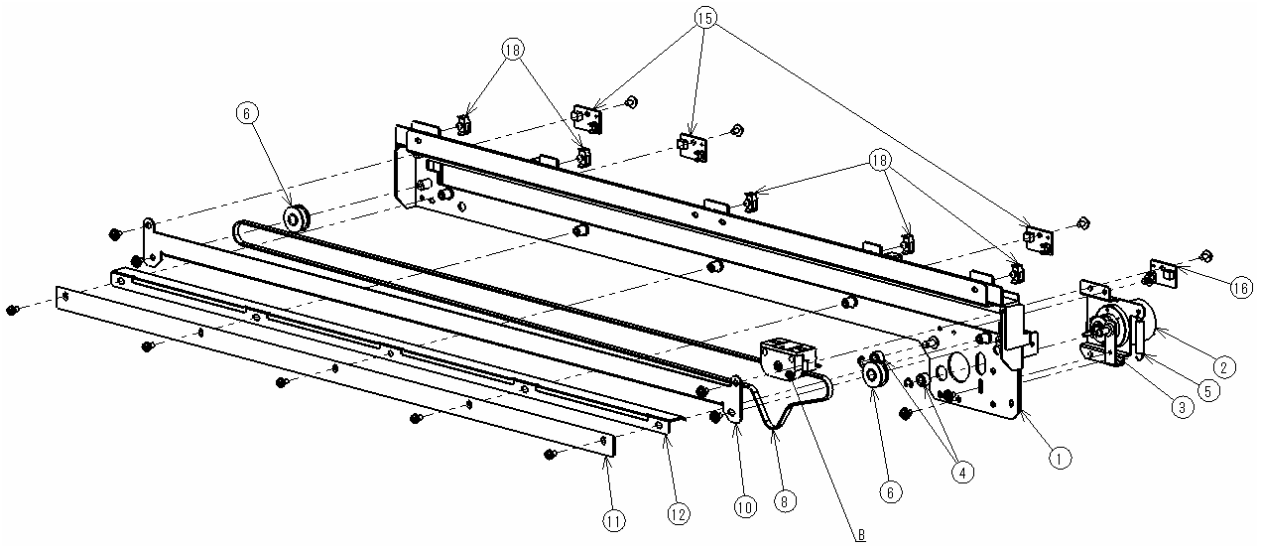
QTY	No	Name	Part No	Fasteners			Remarks
				Name	Part No	QTY	
1	1	Shaft, Head Cam	1641116146ES				
2	2	Head Cam	1641111416				
1	3	Plate, Head Sensor	1641116227ES	+screw	ESWG-M3X6-CRF	1	

Name	Head Cam Shaft Assy
Part Number	1641105332ES



QTY	No	Name	Part No	Fasteners			Remarks
				Name	Part No	QTY	
1	1	Holder, Head Sensor	1641116229ES				
2	2	Sensor TLP1243(C8)	ESNRRAY-T-097				
1	3	Mini locking wire saddle	060648060ES				
1	4	Cable, Head Sensor	0705850218ES				

Name	Head Sensor Assy
Part Number	1641105334ES

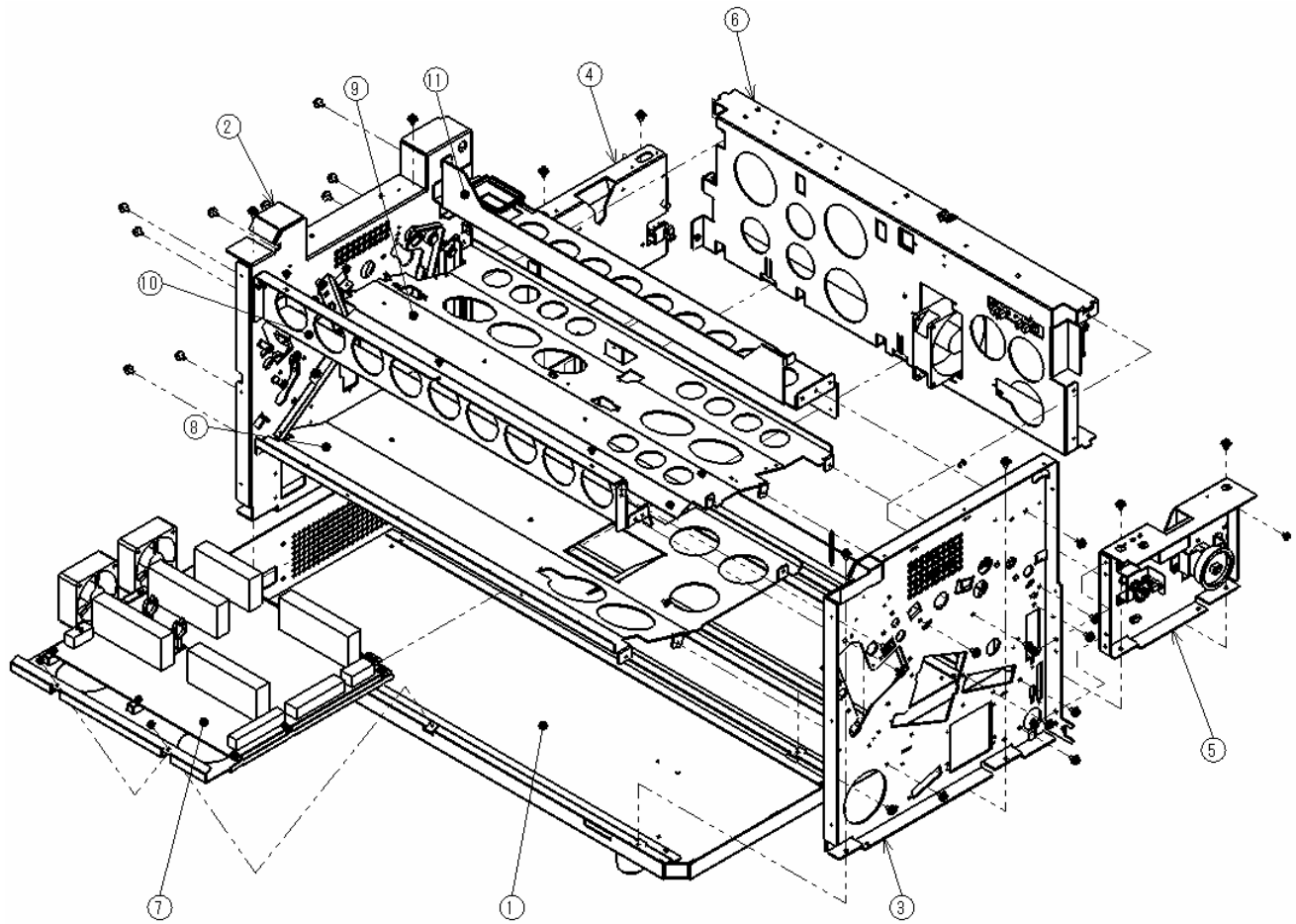


B

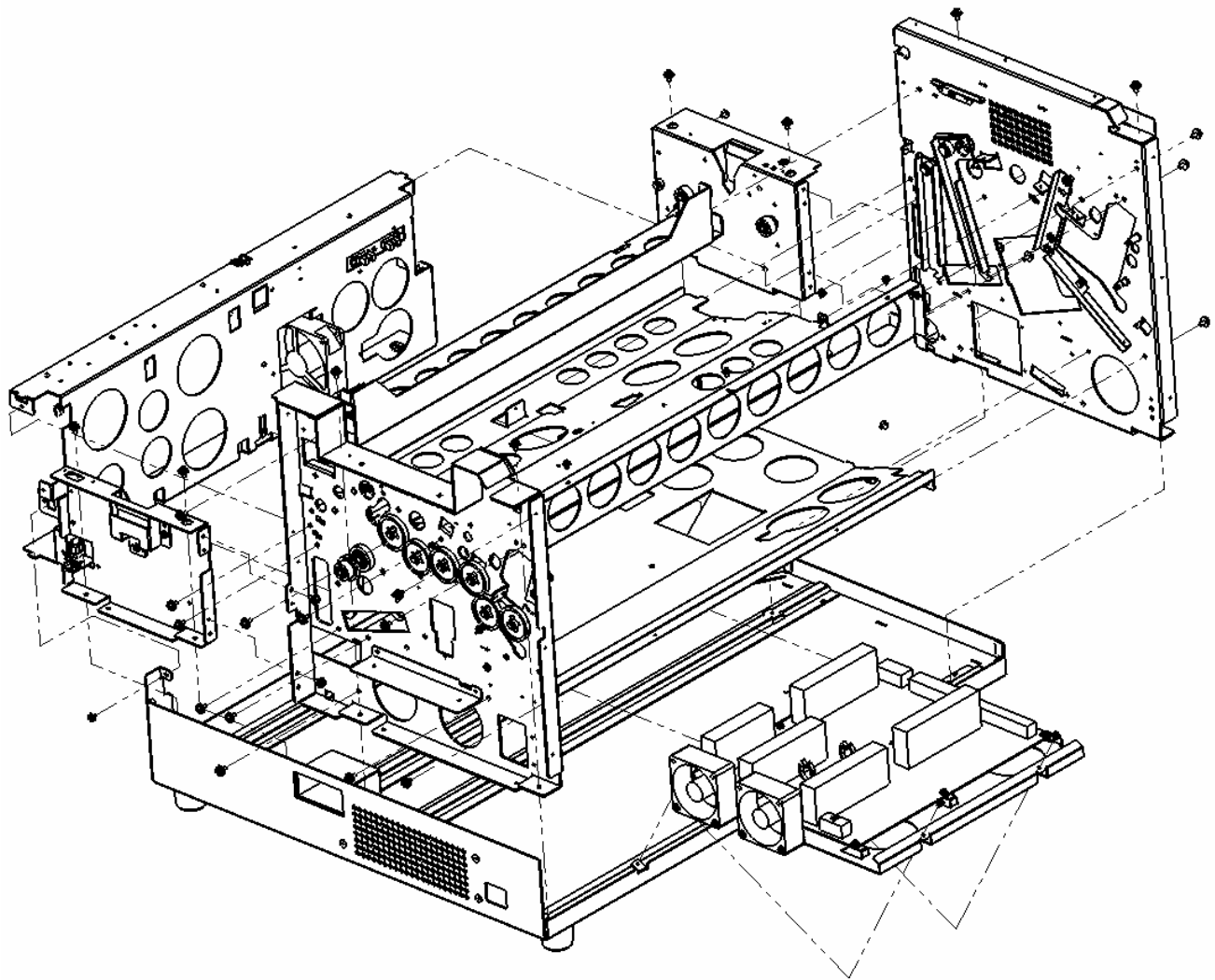
Name	Cutter Unit
Part Number	1641190136ES

QTY	No	Name	Part No	Fasteners			Remarks
				Name	Part No	QTY	
1	1	Frame, Cutter	1641116149ES				
1	2	Cutter Motor Assy	1641104135054ES	+screw	ESWG-M3X6-CRF	2	
1	3	Tension Pulley(Cutter)	1641113063ES	+screw	ESWG-M3X6-CRF	1	
2	4	Roll, Slide Guide	1641114053ES	E-ring	STPE3	2	
1	5	Spring	060570115075ES				
2	6	TimingPulley24	060017122ES				
1	7	Slider, Cutter	1641112925ES				
1	8	Timing Belt	060911808569ES				
1	9	Plate, Cutter Sensor	1641114402ES	+screw	0701100001003ES	1	
1	10	Guide, Carrier Rear	1641116151ES	+screw	ESWG-M3X6-CRF	4	
1	11	Cutter, Stationary blade	1641116197ES	+screw	ESWFM3X6-CRF	5	
1	12	Guide, Cutter(Lower)	1641116198ES				
2	13	Cutter Rotary blade Sub Assy	1641104183056ES				
1	14	Holder, Cutter	1641112924ES	+screw	0701100001003ES	2	
3	15	HSSV10CUTSENF Assy	1609001554ES	+screw	ESWG-M3X6-CRF	3	
1	16	HSSV10CUTSENR Assy	1609001555ES	+screw	ESWG-M3X6-CRF	1	
1	17	Cable Cutter Sensor	0705850217ES				
5	18	Mini locking wire saddle	060648060ES				
1	20	Band	060648011ES				

Name	Cutter Unit
Part Number	1641190136ES

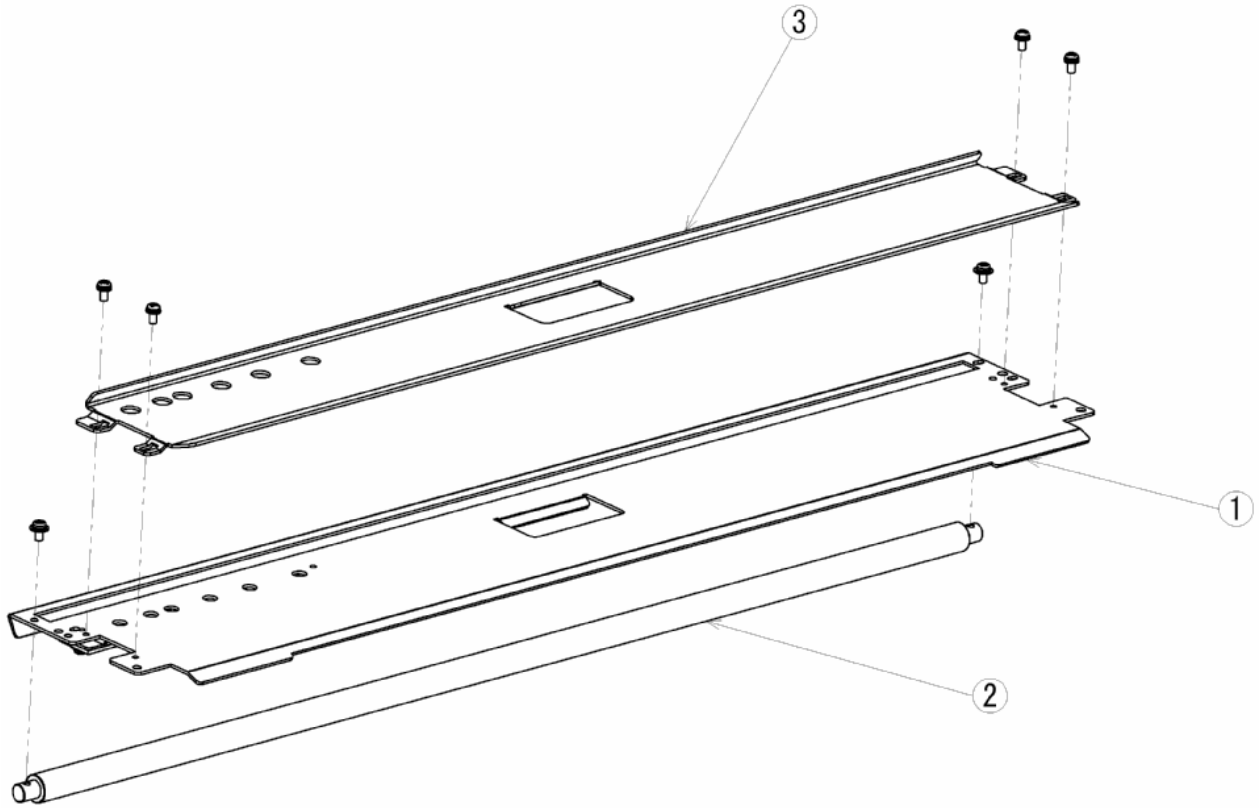


Name	Frame Assy
Part Number	1641105183ES



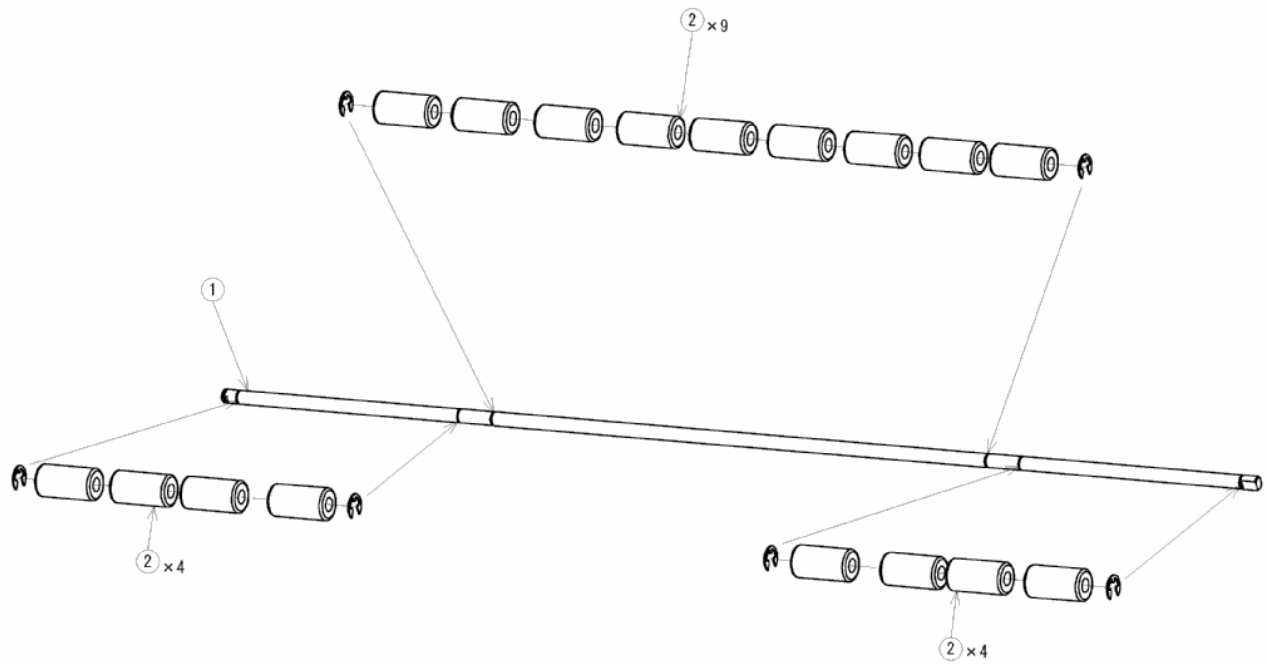
QTY	No	Name	Part No	Fasteners			Remarks
				Name	Part No	QTY	
1	1	Frame Bottom Assy	1641105339ES				
1	2	Side Frame L Assy	1641105404ES	+screw	ESWG-M4X8-CRF	4	
1	3	Side Frame R Assy	1641105405ES	+screw	ESWG-M4X8-CRF	4	
1	4	Frame, Feed L Assy	1641105188ES	+screw	ESWG-M4X8-CRF	2	
				+screw	ESWG-M3X6-CRF	1	
1	5	Frame, Feed R Assy	1641105189ES	+screw	ESWG-M4X8-CRF	2	
				+screw	ESWG-M3X6-CRF	1	
1	6	Frame P.C.B. Assy	1641105341ES	+screw	ESWG-M4X8-CRF	6	
1	7	Power Supply Assy	1641190137ES	+screw	ESWG-M3X6-CRF	2	Maintenance Parts Important Parts
1	8	Frame, Engine Center Lower Assy	1641105398ES	+screw	ESWG-M4X8-CRF	6	
1	9	Frame, Engine Center Upper Assy	1641105397ES	+screw	ESWG-M4X8-CRF	6	
1	10	Frame, Front	1641116698ES	+screw	ESWG-M4X8-CRF	4	
1	11	Frame, Upper Fulcrum Assy	1641105395ES	+screw	ESWG-M4X8-CRF	2	

Name	Frame Assy
Part Number	1641105183ES



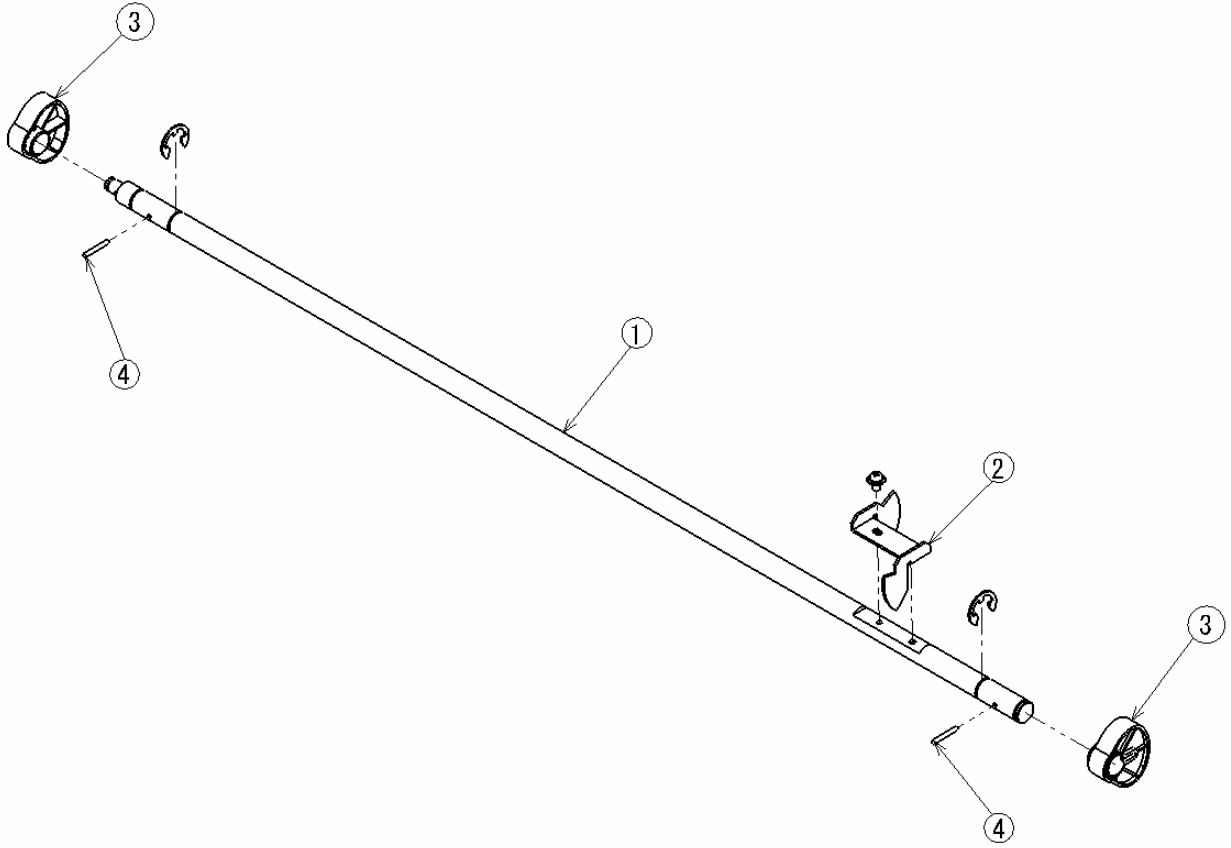
QTY	No	Name	Part No	Fasteners			Remarks
				Name	Part No	QTY	
1	1	Guide Transport Lower Assy	1641105386ES				
1	2	Shaft, Guide	1641116549ES	+screw	ESWG-M3X6-CRF	2	
1	3	Guide, Transport, Upper	1641116664ES	+screw	ESWF-M3X6-CRF	4	

Name	Guide, Transport Assy
Part Number	1641105185ES



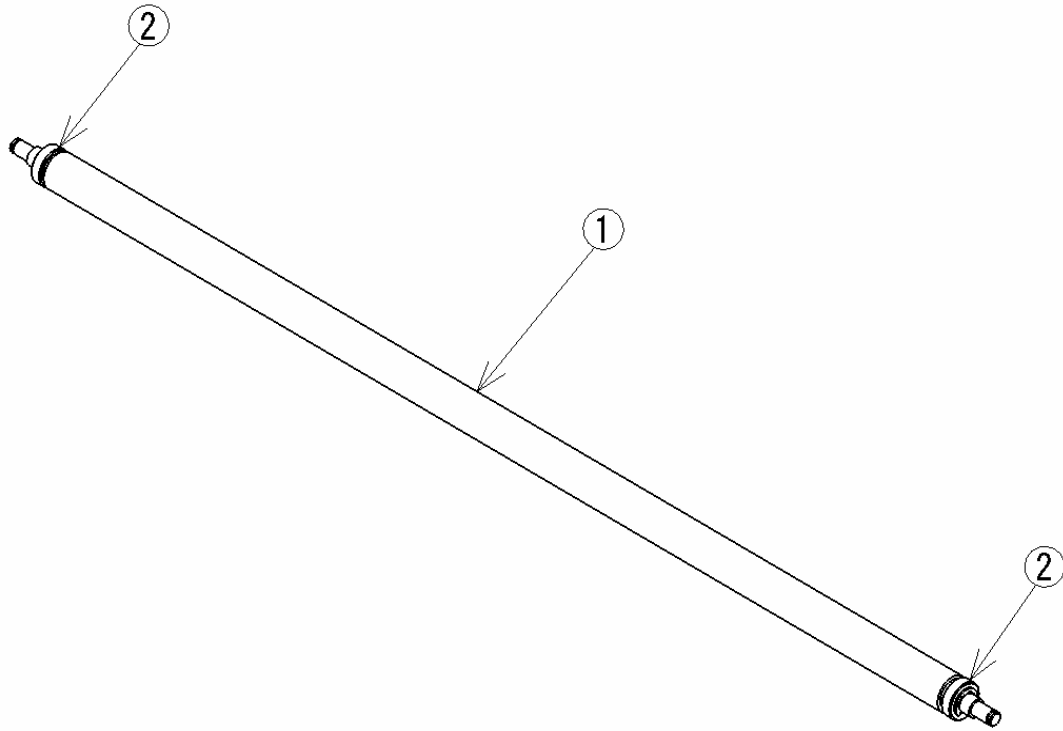
QTY	No	Name	Part No	Fasteners			Remarks
				Name	Part No	QTY	
1	1	Shaft, Ejection Pinch	1641116175ES				
17	2	Roller, Guide (Feed)	1641113018ES	E-ring	STP-E5	6	

Name	Ejection Pinch Roller Assy
Part Number	1641105187ES



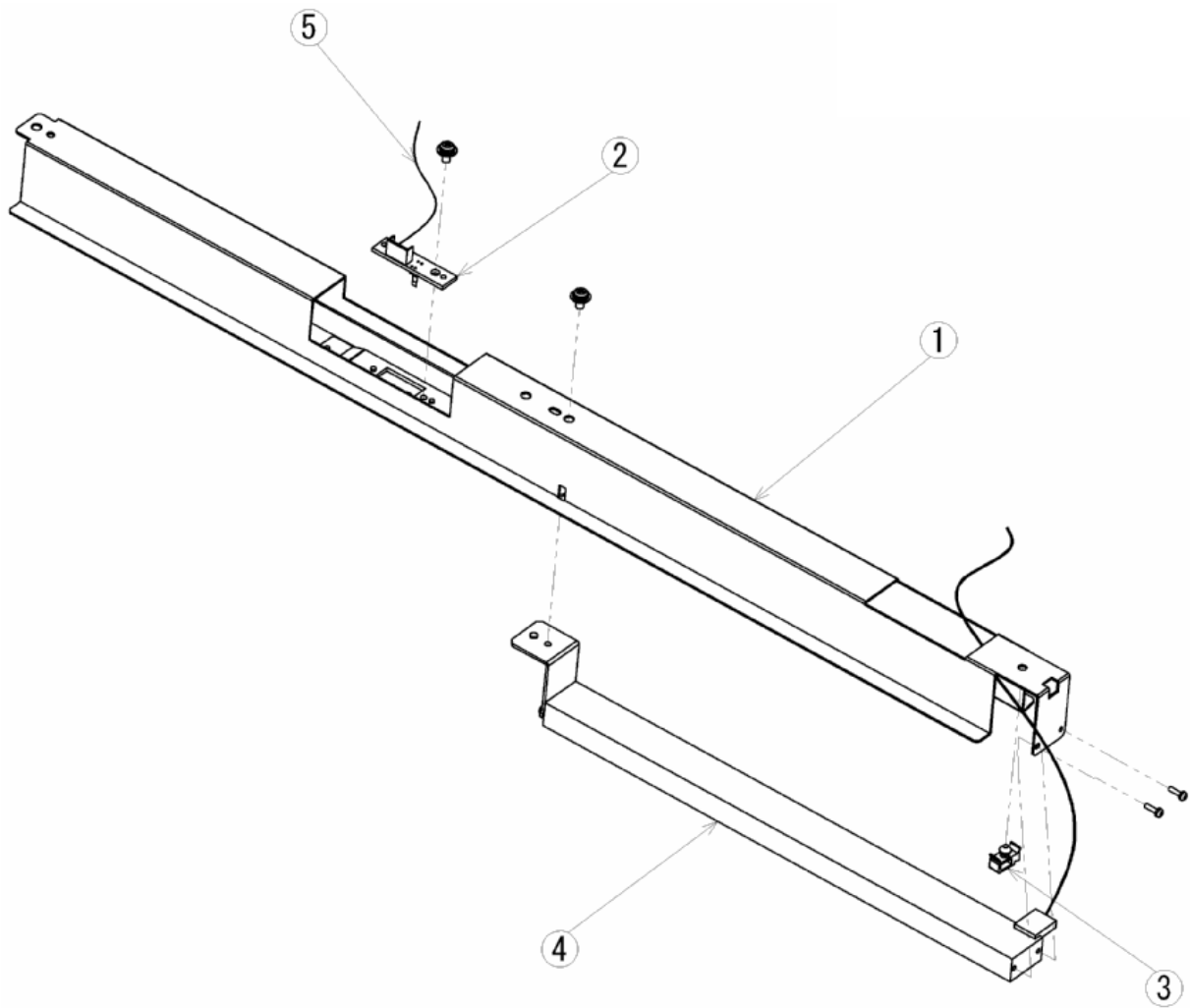
QTY	No	Name	Part No	Fasteners			Remarks
				Name	Part No	QTY	
1	1	Shaft ,Maine Pinch Cam	1641116210ES				
1	2	Plate, Maine Pinch Sensor	1641116252ES	+screw	ESWG-M3X6-CRF	1	
2	3	Cam, Maine Pinch	1641116212ES	E-ring	STP-E8	2	
2	4	Parallel Pin	PPH-2X14-SUS				

Name	Maine Pinch Cam Shaft Assy
Part Number	1641105192ES



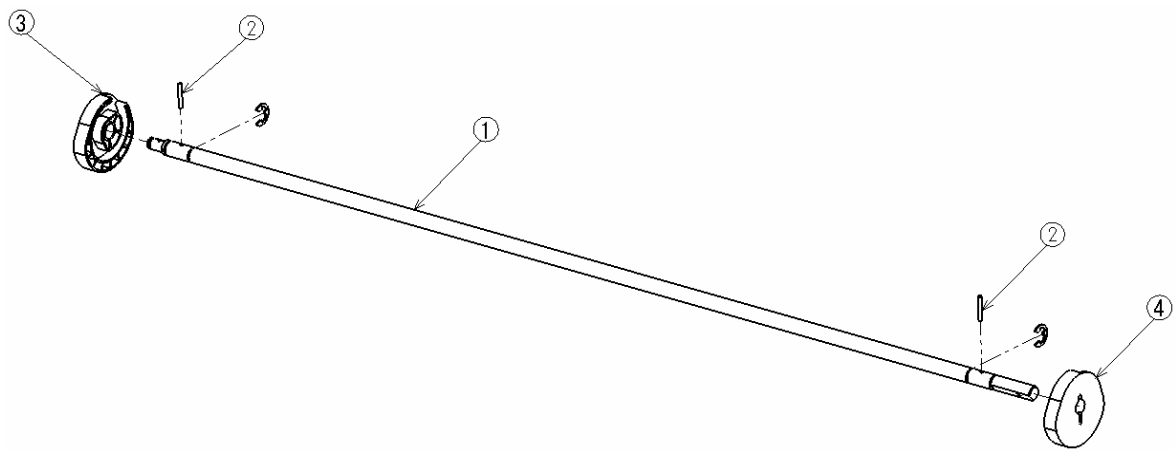
QTY	No	Name	Part No	Fasteners			Remarks
				Name	Part No	QTY	
1	1	Roller, Cleaning	1641116118ES				
2	2	Collar	0702608002ES	E-ring	STP-E6	2	

Name	Roller, Cleaning Assy
Part Number	1641105193ES



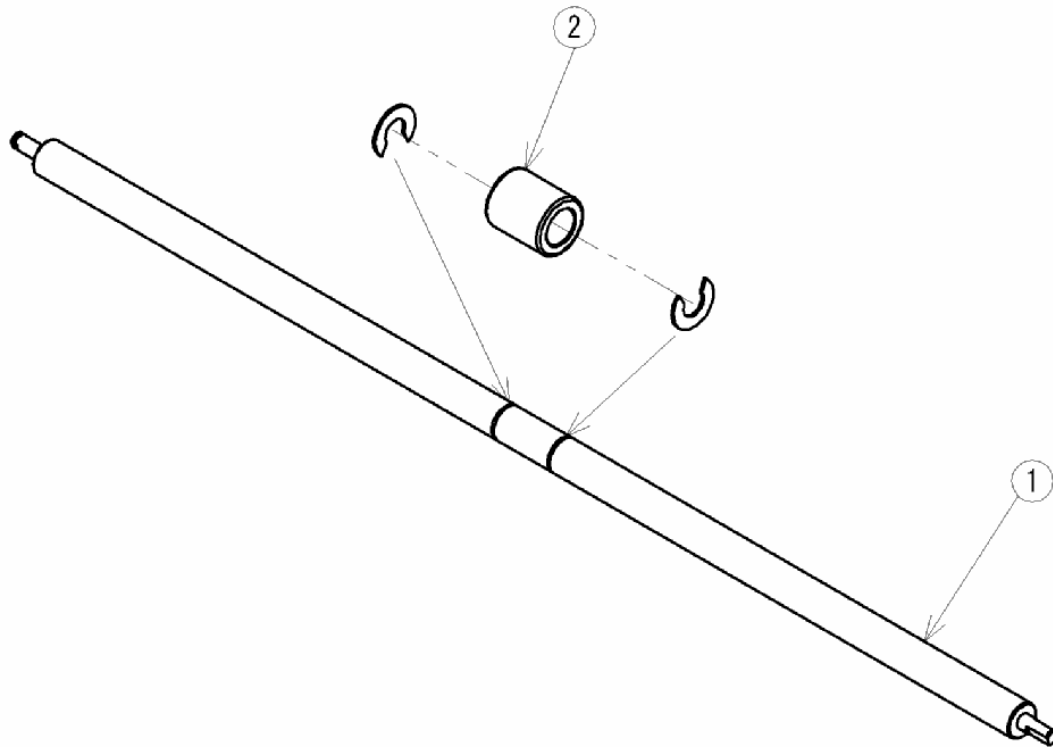
QTY	No	Name	Part No	Fasteners			Remarks
				Name	Part No	QTY	
1	1	Guide, CCD	1641116584ES				
1	2	HSSSEN F Assy	1609001454ES	+screw	ESWG-M3X6-CRF	1	
1	3	Mini locking wire saddle	060648060ES				
1	4	CCD Assy	1641105389ES	+screw	0701100001003ES	2	
				+screw	ESWG-M3X6-CRF	1	
1	5	Cable Plate Edge Sensor	0705850221ES				

Name	Guide, CCD Assy
Part Number	1641105195ES



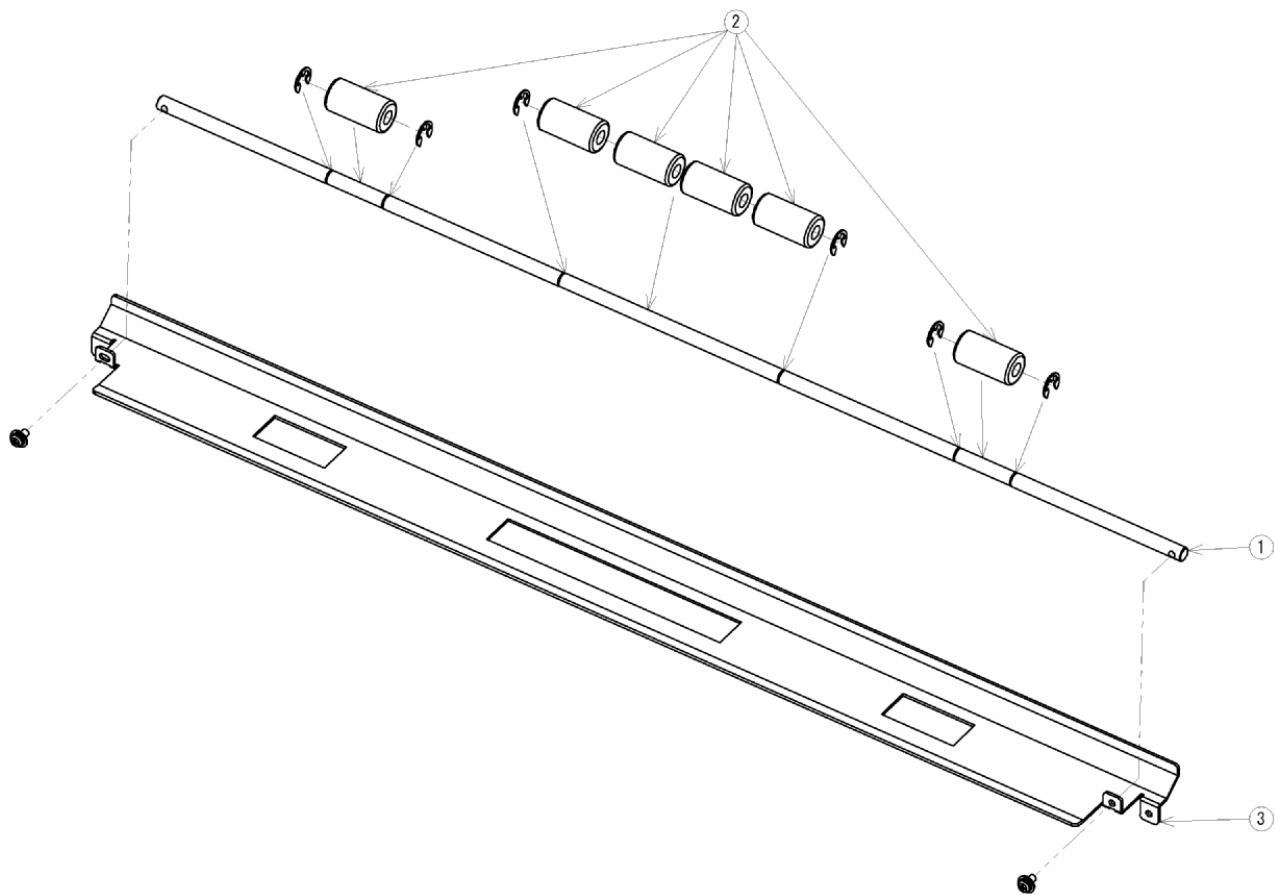
QTY	No	Name	Part No	Fasteners			Remarks
				Name	Part No	QTY	
1	1	Shaft, Transport Ejection Cam	1641116220ES	E-ring	STP-E6	2	
2	2	Parallel Pin	PPH-2X14-SUS				
1	3	Cam, Transport Ejection Pinch	1641116230ES				
1	4	Cam, Transport Ejection Pinch	1641116230051ES				

Name	Transport Ejection Cam Shaft Assy
Part Number	1641105200ES



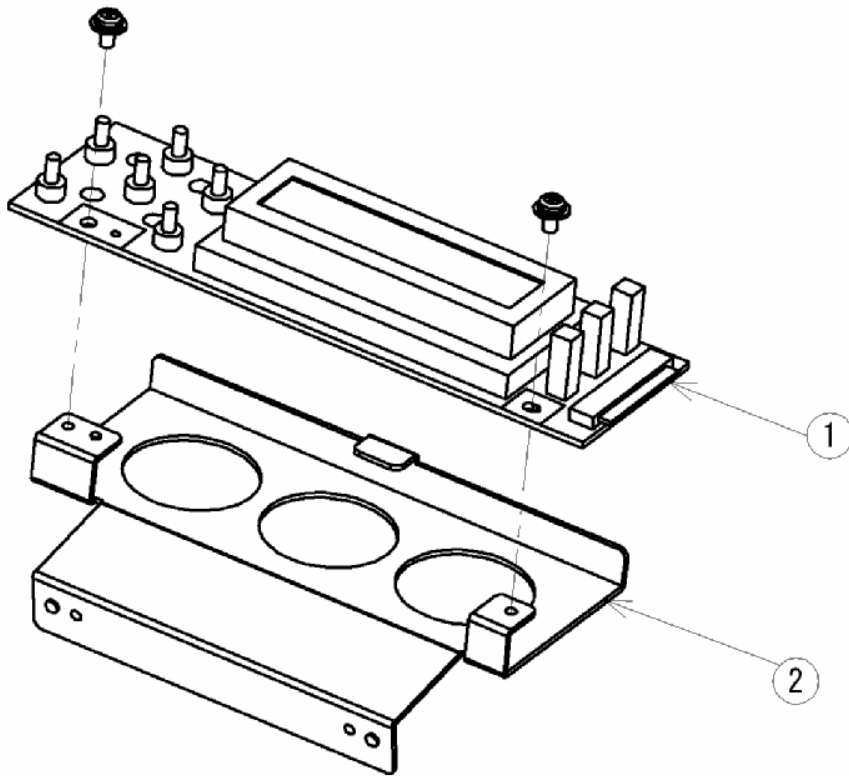
QTY	No	Name	Part No	Fasteners			Remarks
				Name	Part No	QTY	
1	1	Shaft, Transport Pinch	1641116117ES				
1	2	Roller, Guide	1641116264ES	E-ring	STPE-10	2	

Name	Transport Pinch Roller Assy
Part Number	1641105203ES



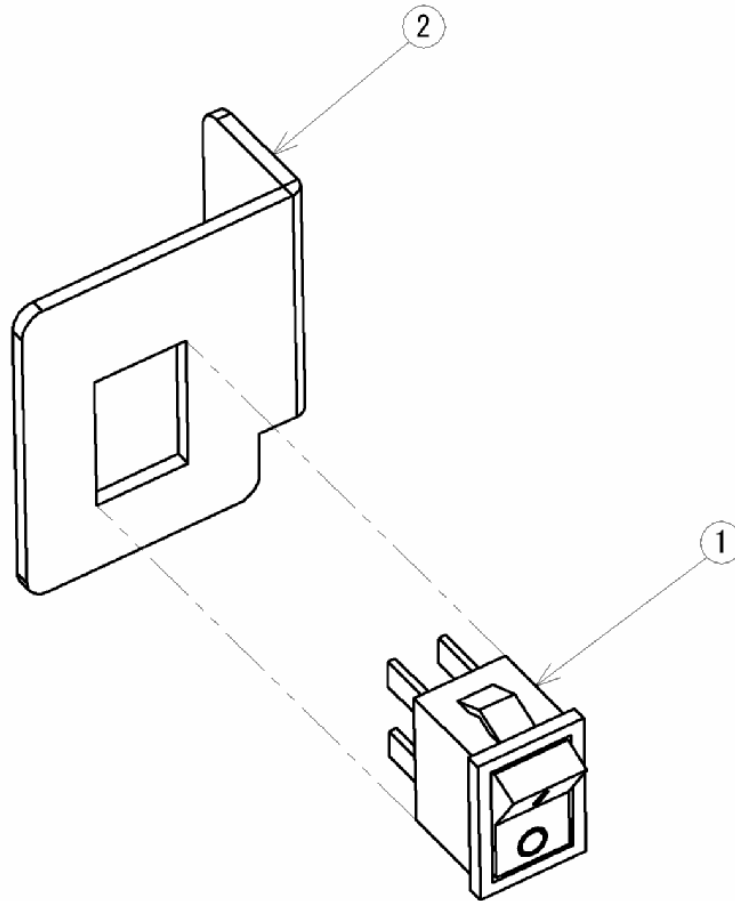
QTY	No	Name	Part No	Fasteners			Remarks
				Name	Part No	QTY	
1	1	Shaft, Feed Guide	1641116569ES				
6	2	Roller ,Guide (Feed)	1641113018ES	E-ring	STP-E5	6	
1	3	Guide, Loading Upper	1641116568ES	+screw	ESWG-M3X6-CRF	2	

Name	Guide, Loading Upper Assy
Part Number	1641105338ES



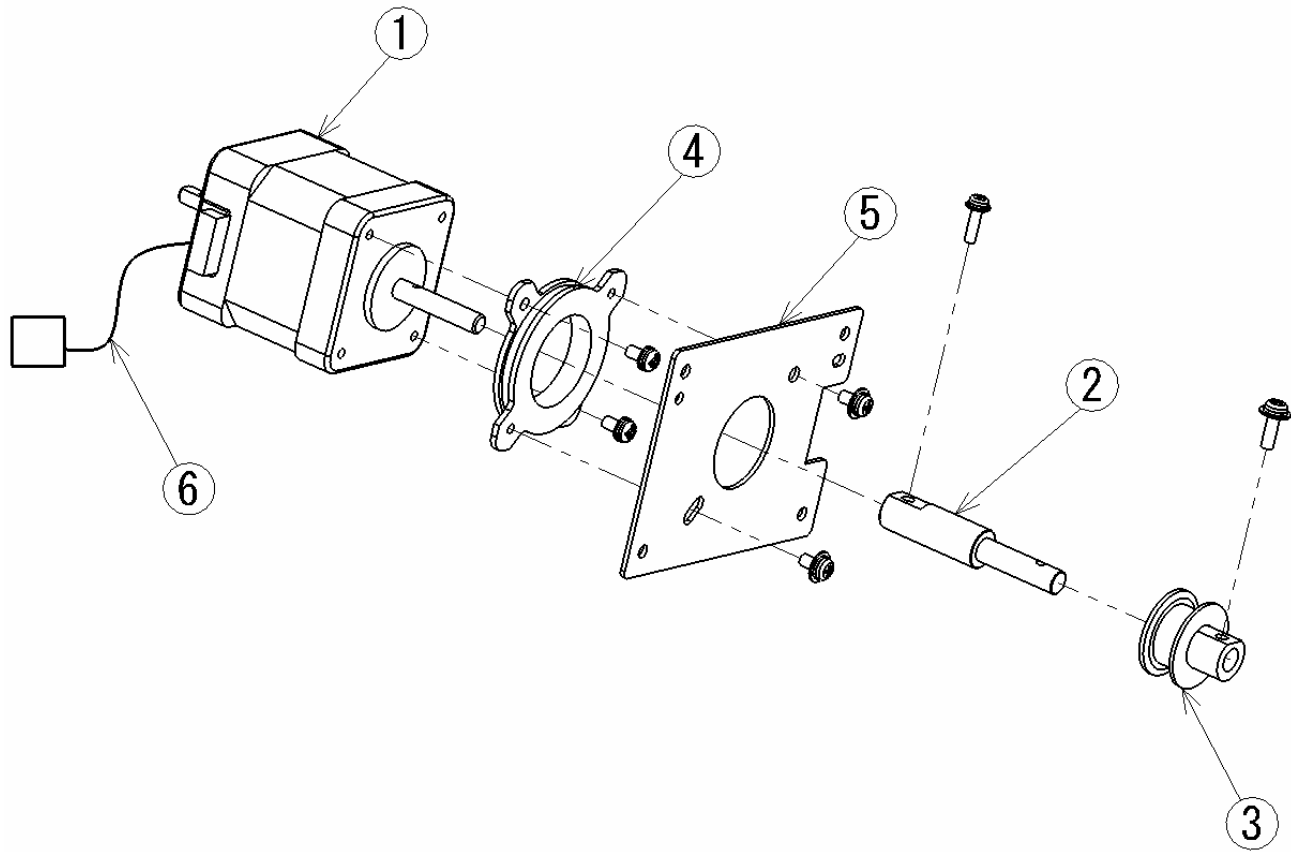
QTY	No	Name	Part No	Fasteners			Remarks
				Name	Part No	QTY	
1	1	HSSV8 LCD F Assy	1641190150ES	+screw	ESWG-M3X6-CRF	2	Maintenance Parts Important Parts
1	2	Holder, OP	1641116221ES				

Name	Operation Assy
Part Number	1641105342ES



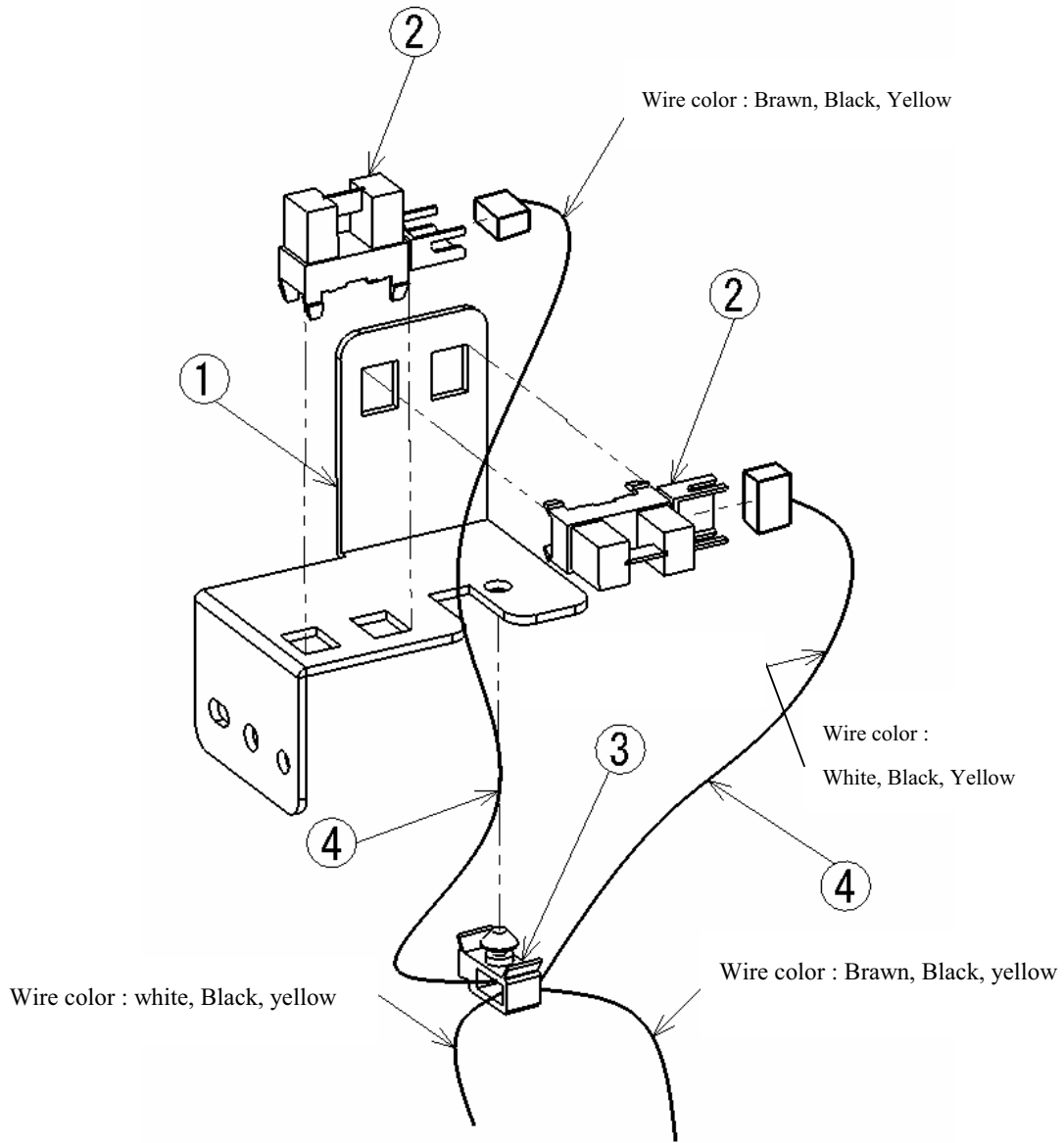
QTY	No	Name	Part No	Fasteners			Remarks
				Name	Part No	QTY	
1	1	Switch AJ7202BF	ESWR-123DPST				
1	2	Holder, Power Switch	1641116558ES				

Name	Switch Assy
Part Number	1641105343ES



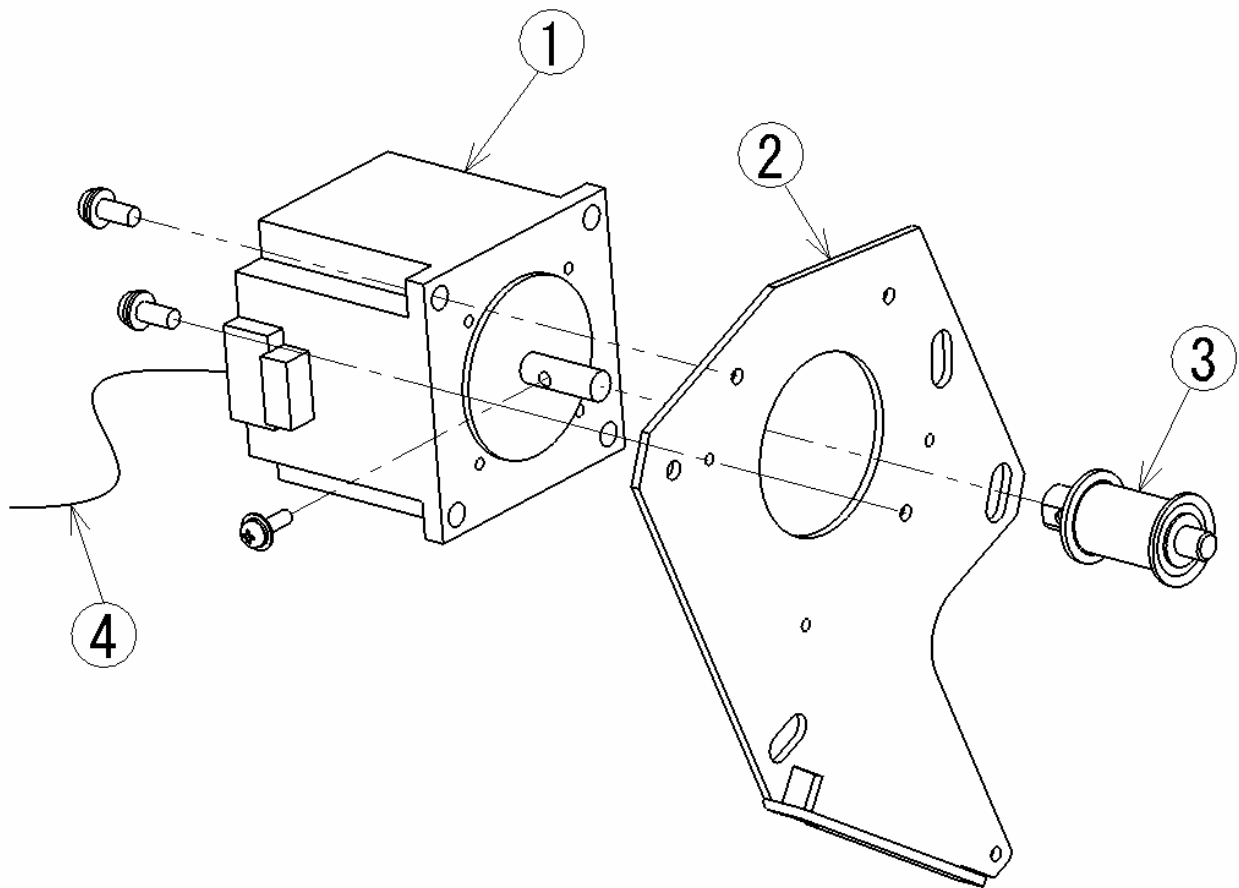
QTY	No	Name	Part No	Fasteners			Remarks
				Name	Part No	QTY	
1	1	Stepping Motor	1641190148ES				Maintenance Parts Important Parts
1	2	Coupling	1641116629ES	+screw	ESWG-M2.6X6-CRF	1	
1	3	Timing Pulley	060017231ES	+screw	ESWG-M3X10CRF	1	
1	4	Mount, Motor	060914173055ES	+screw	ESWF-M3X6-CRF	2	
1	5	Holder, Stepping Motor	1641116628ES	+screw	ESWG-M3X6-CRF	2	
1	6	Cable Sub Stepping Motor	0705850231ES				

Name	Sub Stepping Motor Assy
Part Number	1641105348ES



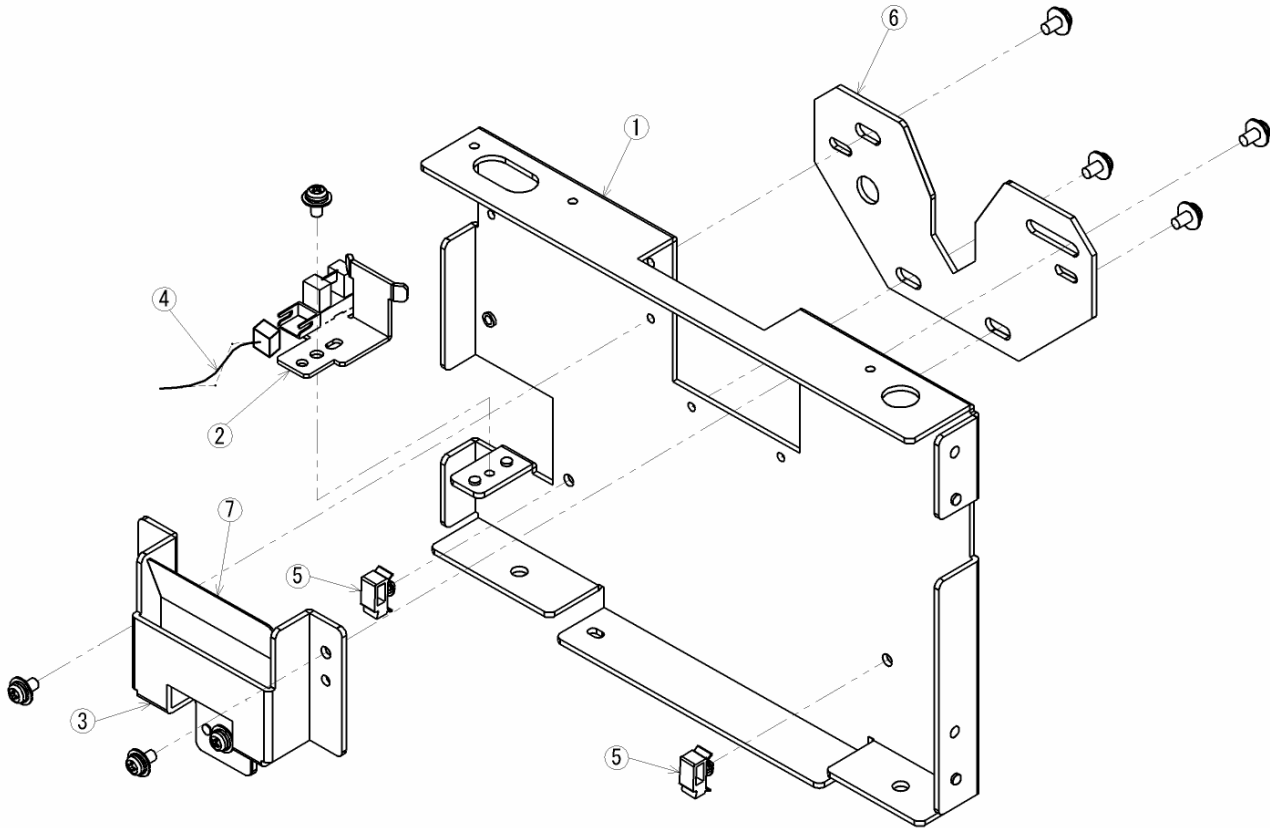
QTY	No	Name	Part No	Fasteners			Remarks
				Name	Part No	QTY	
1	1	Holder, Transport Ejection Pinch Sensor	1641116257ES				
2	2	Sensor TLP1243 (C8)	ESNRRAY-T-097				
1	3	Mini locking wire saddle	060648060ES				
1	4	Cable Transport Pinch Sensor	0705850213ES				

Name	Transport Ejection Pinch Sensor Assy
Part Number	1641105355ES



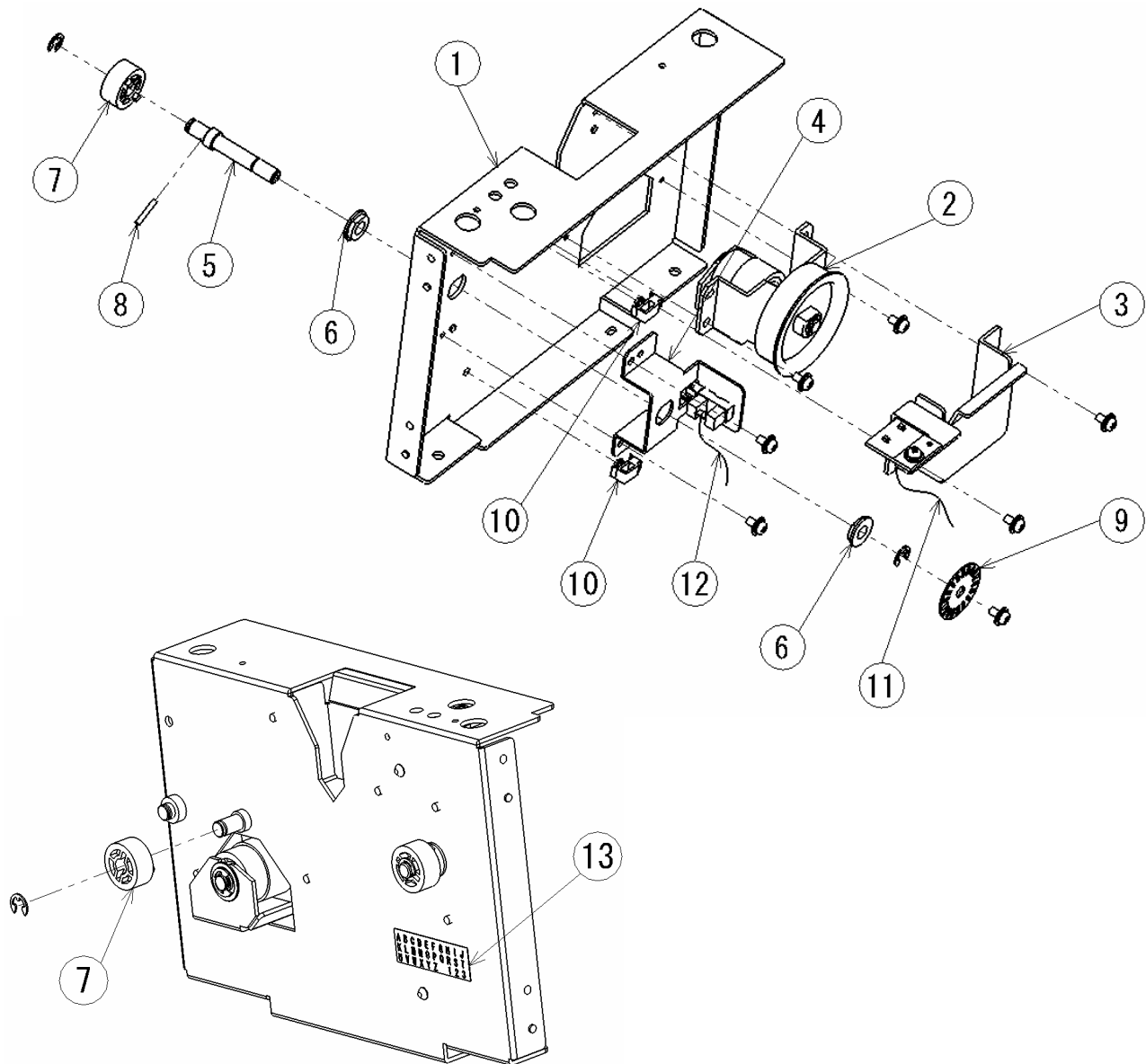
QTY	No	Name	Part No	Fasteners			Remarks
				Name	Part No	QTY	
1	1	Stepping Motor	1641190147ES				Maintenance Parts Important Parts
1	2	Holder, Stepping Motor	1641116559ES	+screw	ESWF-M4X10CRF	2	
1	3	Timing Pulley	0700199026ES	+screw	ESWG-M3X10CRF	1	
1	4	Cable Maine Stepping Motor	0705850230ES				

Name	Maine Stepping Motor Assy
Part Number	1641105385ES



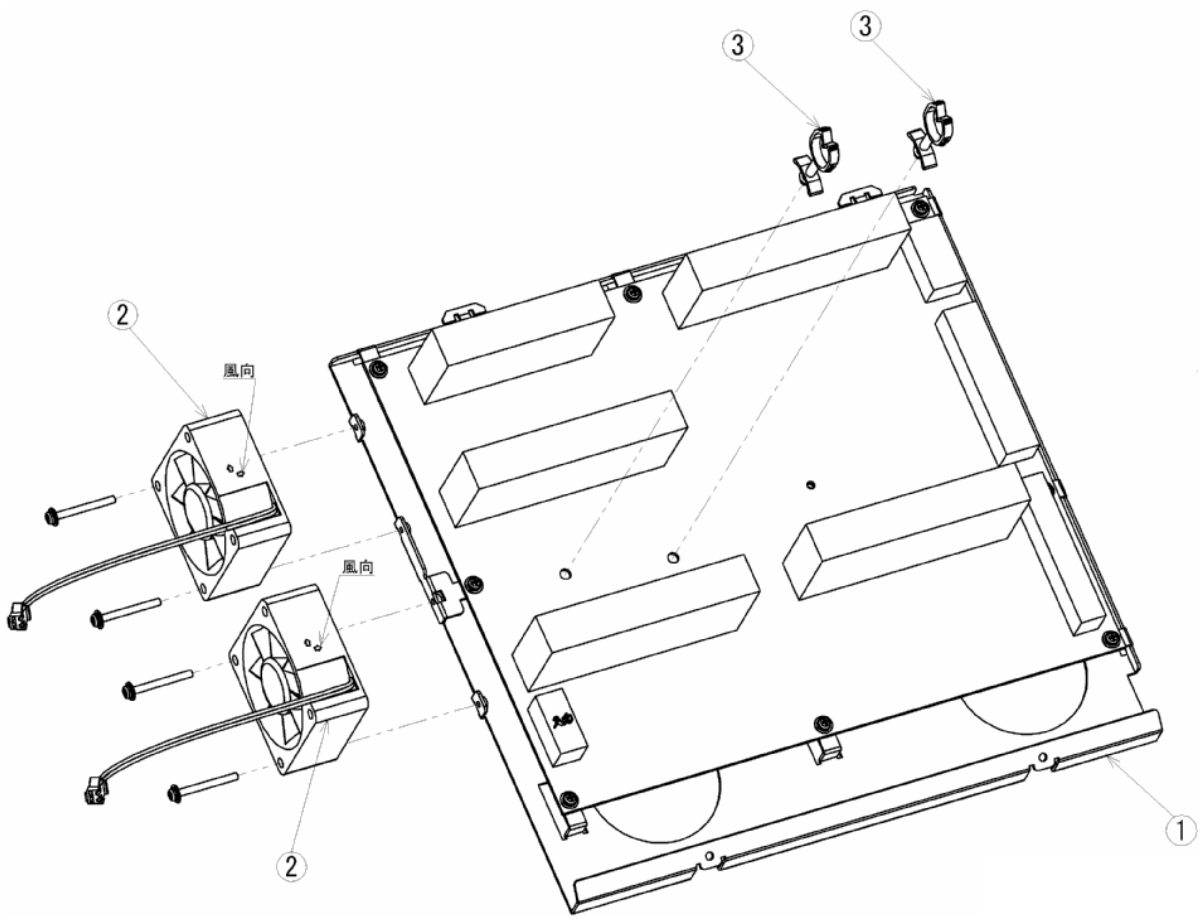
QTY	No	Name	Part No	Fasteners			Remarks
				Name	Part No	QTY	
1	1	Frame, Feed L	1641117029ES				
1	2	Holder Roll Cover Sensor Assy	1641105352ES	+screw	ESWF-M3X6-CRF	1	
1	3	Stopper Spool L Assy	1641105508ES	+screw	ESWG-M3X6-CRF	2	
1	4	Cable Feed Cover Sensor	0705850219ES				
2	5	Mini locking wire saddle	060648060				
1	6	Plate, Spool Adjuster	1641117030ES	+screw	ESWG-M3X6-CRF	4	

Name	Frame, Feed L Assy
Part Number	1641105188ES



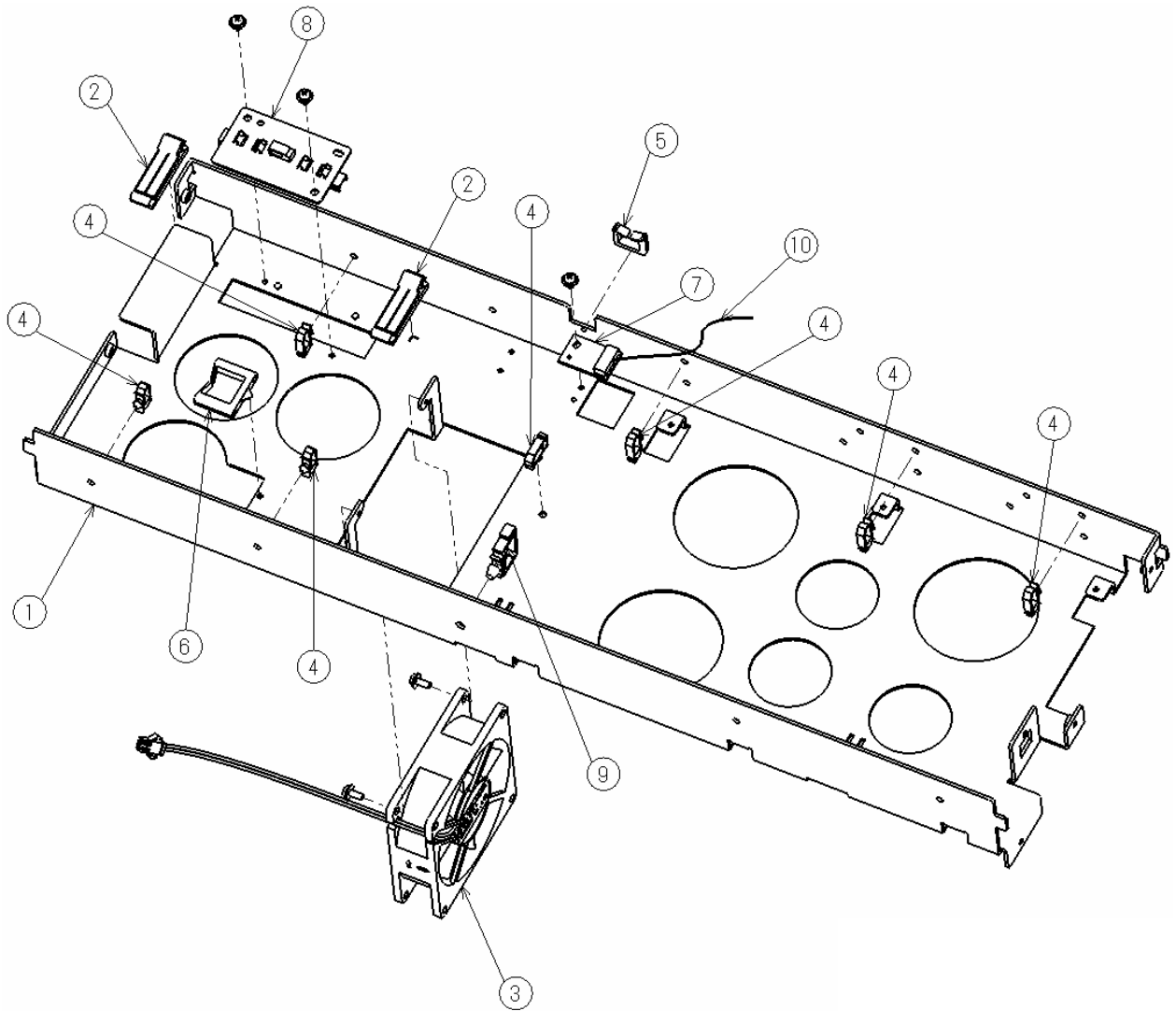
QTY	No	Name	Part No	Fasteners			Remarks
				Name	Part No	QTY	
1	1	Frame, Feed R	1641116560ES				
1	2	Roll Drive Assy	1641105067ES	+screw	ESWG-M3X6-CRF	2	
1	3	Stopper Spool R Assy	1641105351ES	+screw	ESWG-M3X6-CRF	2	
1	4	Holder Roll Encode Sensor Assy	1641105349ES	+screw	ESWG-M3X6-CRF	2	
1	5	Shaft ,Encode	1641116254ES				
2	6	Bearing	060930088ES	E-ring	STP-E4	1	
2	7	Gear18	060050320ES	E-ring	STP-E4	2	
1	8	Parallel Pin	PPH-2X12-SUS				
1	9	Plate, Encode	1641115236ES	+screw	ESWG-M3X6-CRF	1	
2	10	Mini locking wire saddle	060648060				
1	11	Cable Plate Set LED	0705850223ES				
1	12	Cable Plate Diameter Sensor	0705850225ES				
1	13	Unit Sticker	060961076051ES				

Name	Frame, Feed R Assy
Part Number	1641105189ES



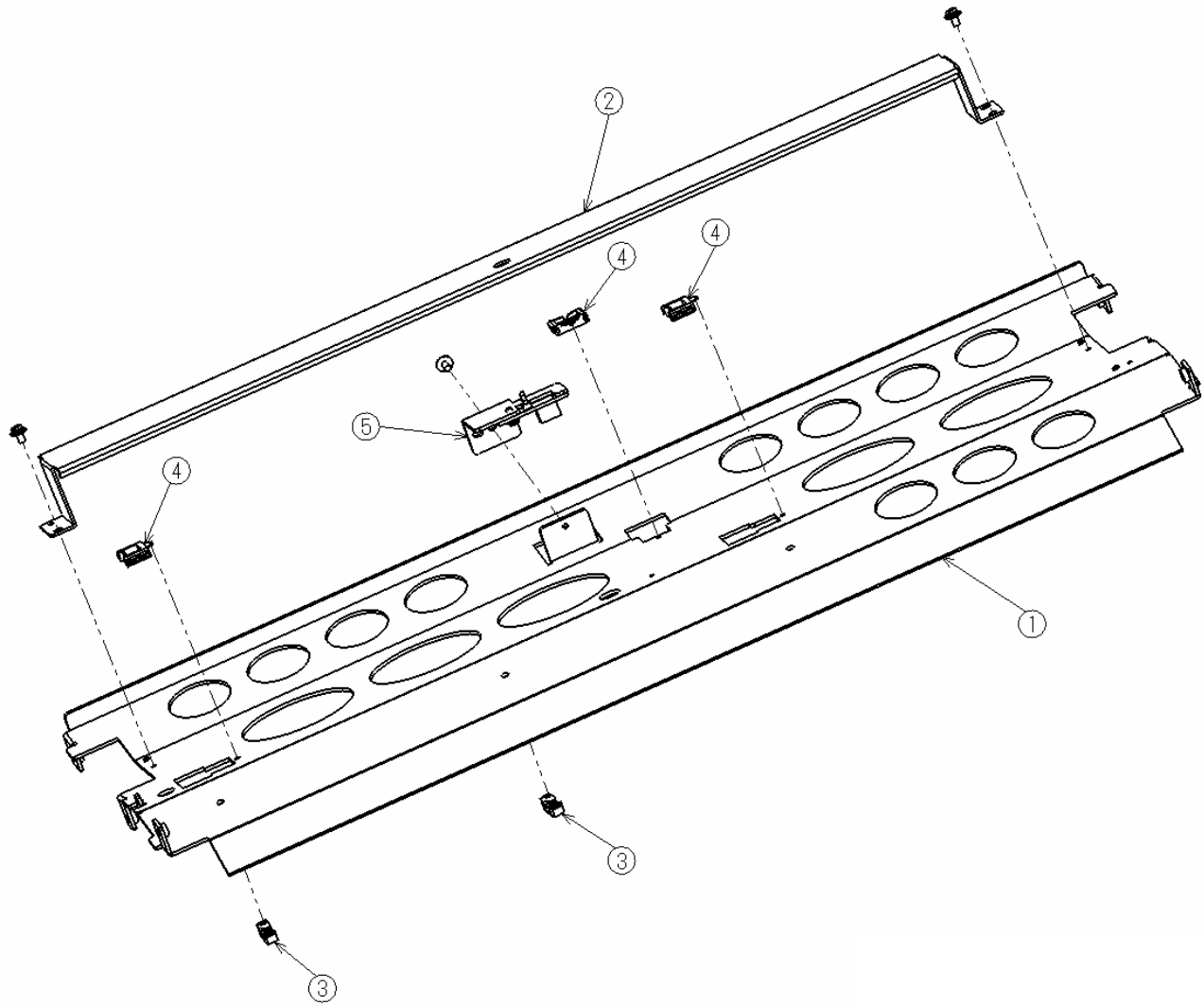
QTY	No	Name	Part No	Fasteners			Remarks
				Name	Part No	QTY	
1	1	Power Supply Unit	1641105406ES				
2	2	DC FAN	1641190146ES	+screw	ESWG-M3X30-CRF	4	Maintenance Parts
2	3	Cable Lifter	0706430005ES				

Name	Power Supply Assy
Part Number	1641190137ES



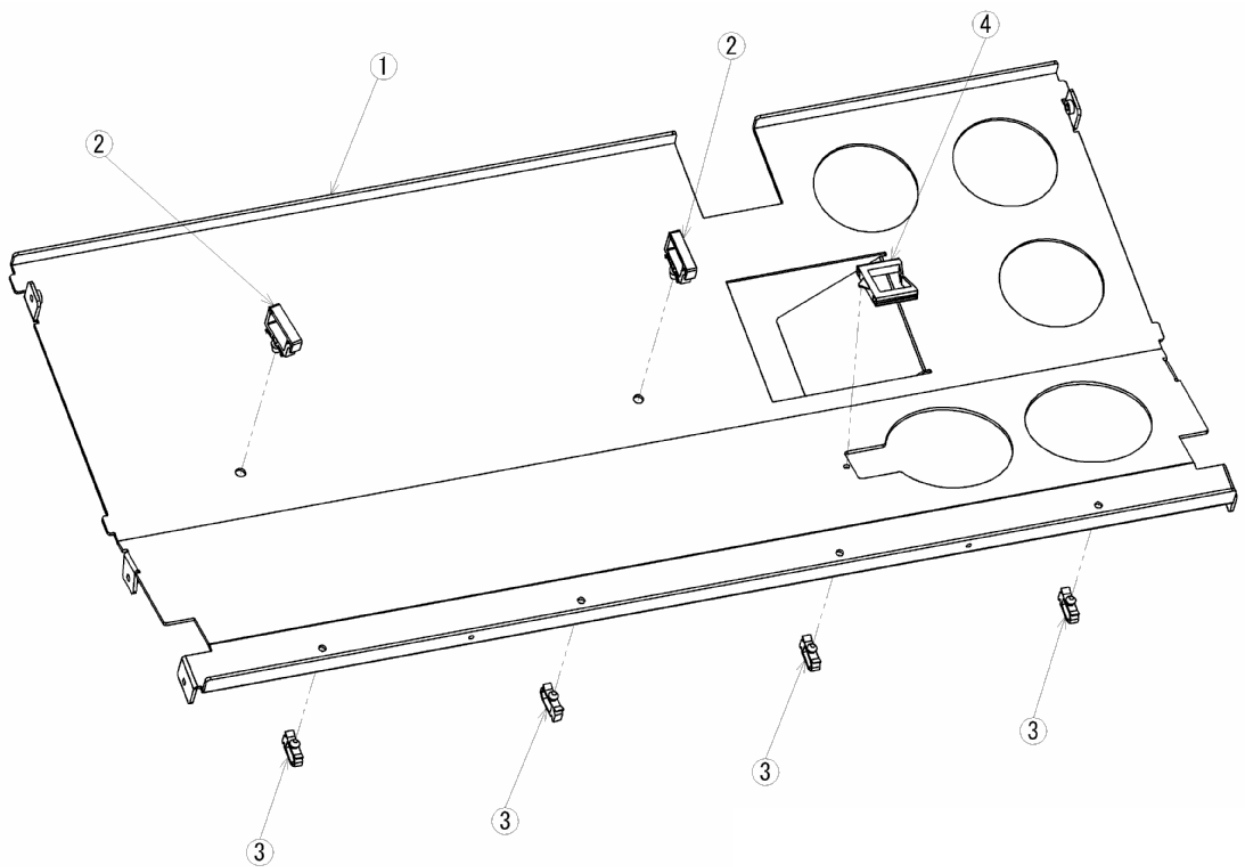
QTY	No	Name	Part No	Fasteners			Remarks
				Name	Part No	QTY	
1	1	Frame, P.C.B.	1641116180ES				
2	2	Cable Clip	0706430003ES				
1	3	DC FAN	1641190145ES	+screw	ESWG-M3X8-CRF	2	Maintenance Parts
7	4	Mini locking wire saddle	060648060051				
1	5	Edge saddle	060648056				
1	6	Edge saddle	060568056051				
1	7	HSS EEPROM F Assy	1609001547ES	+screw	ESWG-M3X6-CRF	1	
1	8	Maine Pinch Sensor Assy	1641105354ES	+screw	ESWG-M3X6-CRF	2	
1	9	Locking wire saddle	060648057052ES				
1	10	Cable EEPROM	0705850224ES				

Name	Frame P.C.B. Assy
Part Number	1641105341ES



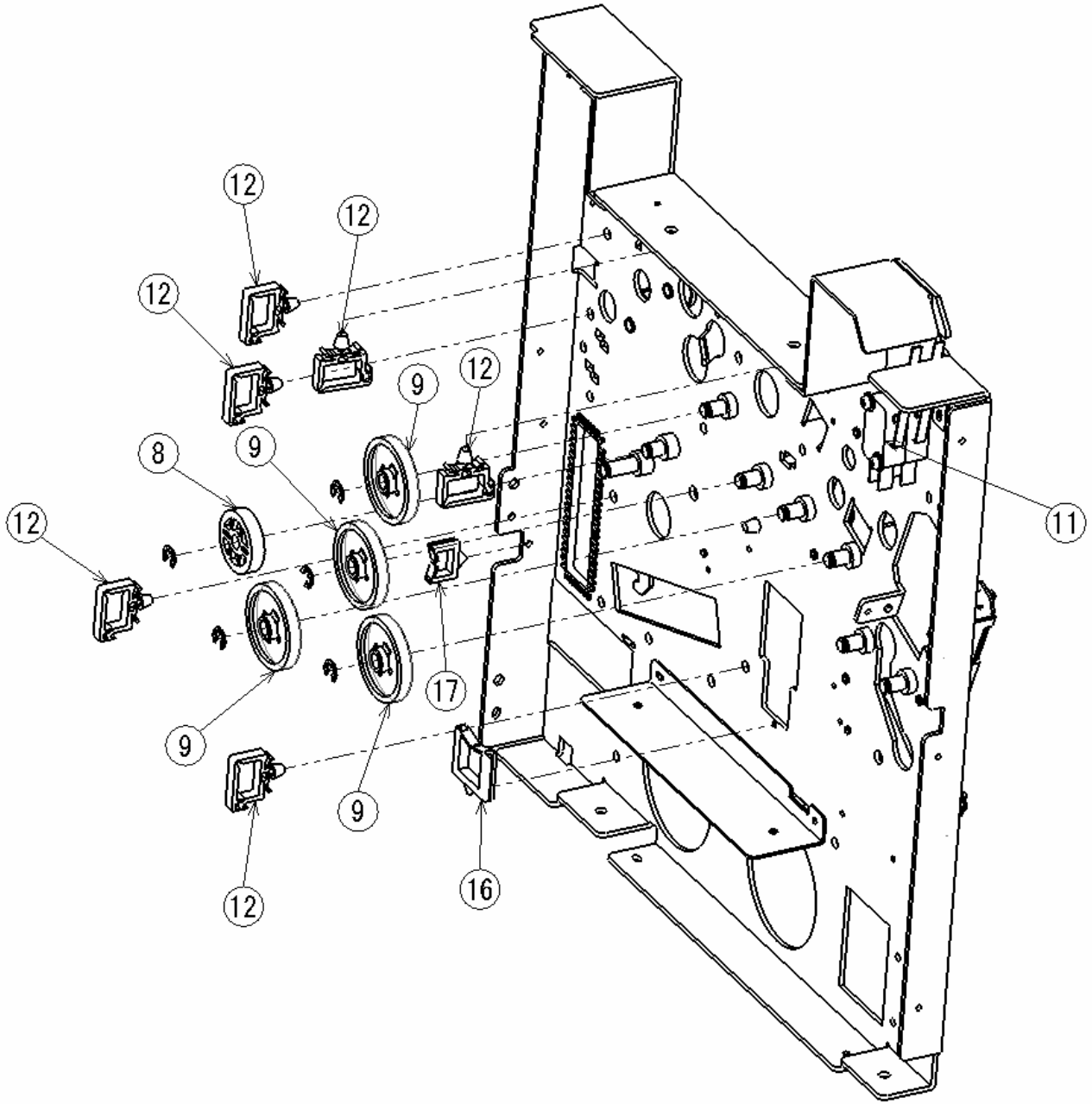
QTY	No	Name	Part No	Fasteners			Remarks
				Name	Part No	QTY	
1	1	Frame, Engine Center Upper	1641116700ES				
1	2	Guide, Loading Lower	1641116567ES	+screw	ESWG-M3X6-CRF	2	
2	3	Mini locking wire saddle	060648060				
3	4	Edge saddle	060648056				
1	5	Sensor, Plate Empty Sensor Assy	1641105344ES	+screw	ESWG-M3X6-CRF	1	

Name	Frame, Engine Center Upper Assy
Part Number	1641105397ES

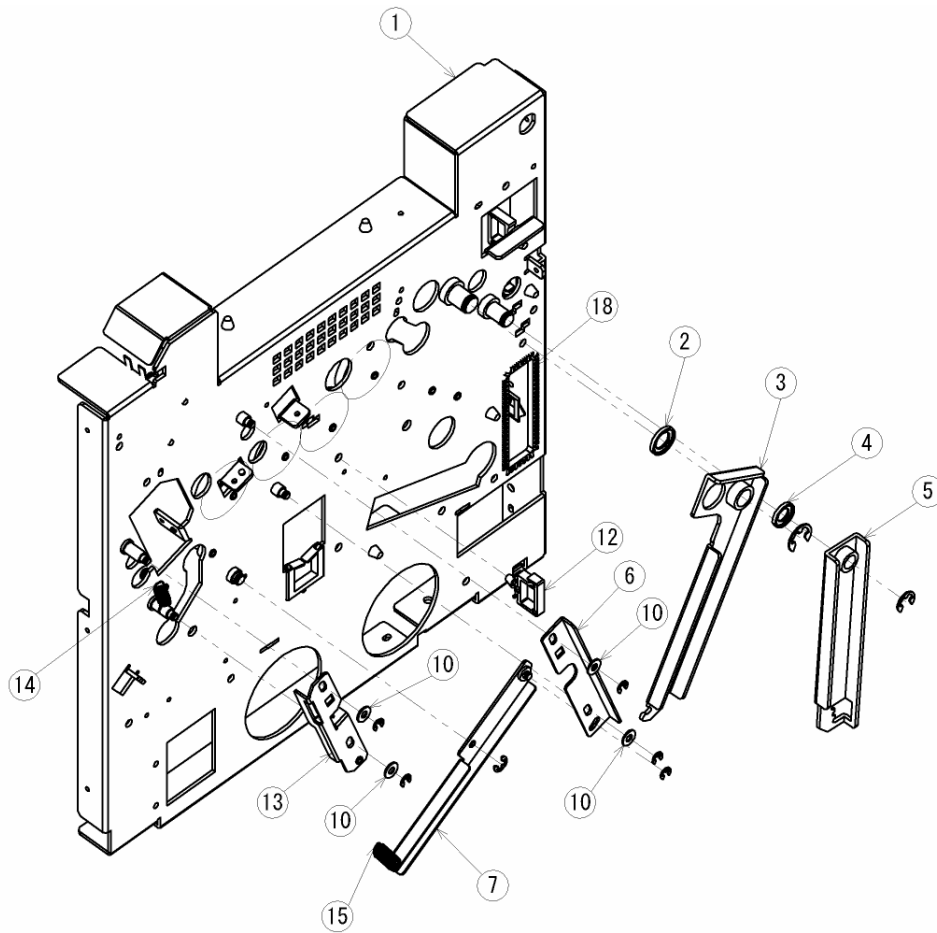


QTY	No	Name	Part No	Fasteners			Remarks
				Name	Part No	QTY	
1	1	Frame, Engine Center Lower	1641116697ES				
2	2	Locking wire saddle	060648057052				
4	3	Mini locking wire saddle	060648060051				
1	4	Edge saddle	060648056051				

Name	Frame, Engine Center Lower Assy
Part Number	1641105398ES

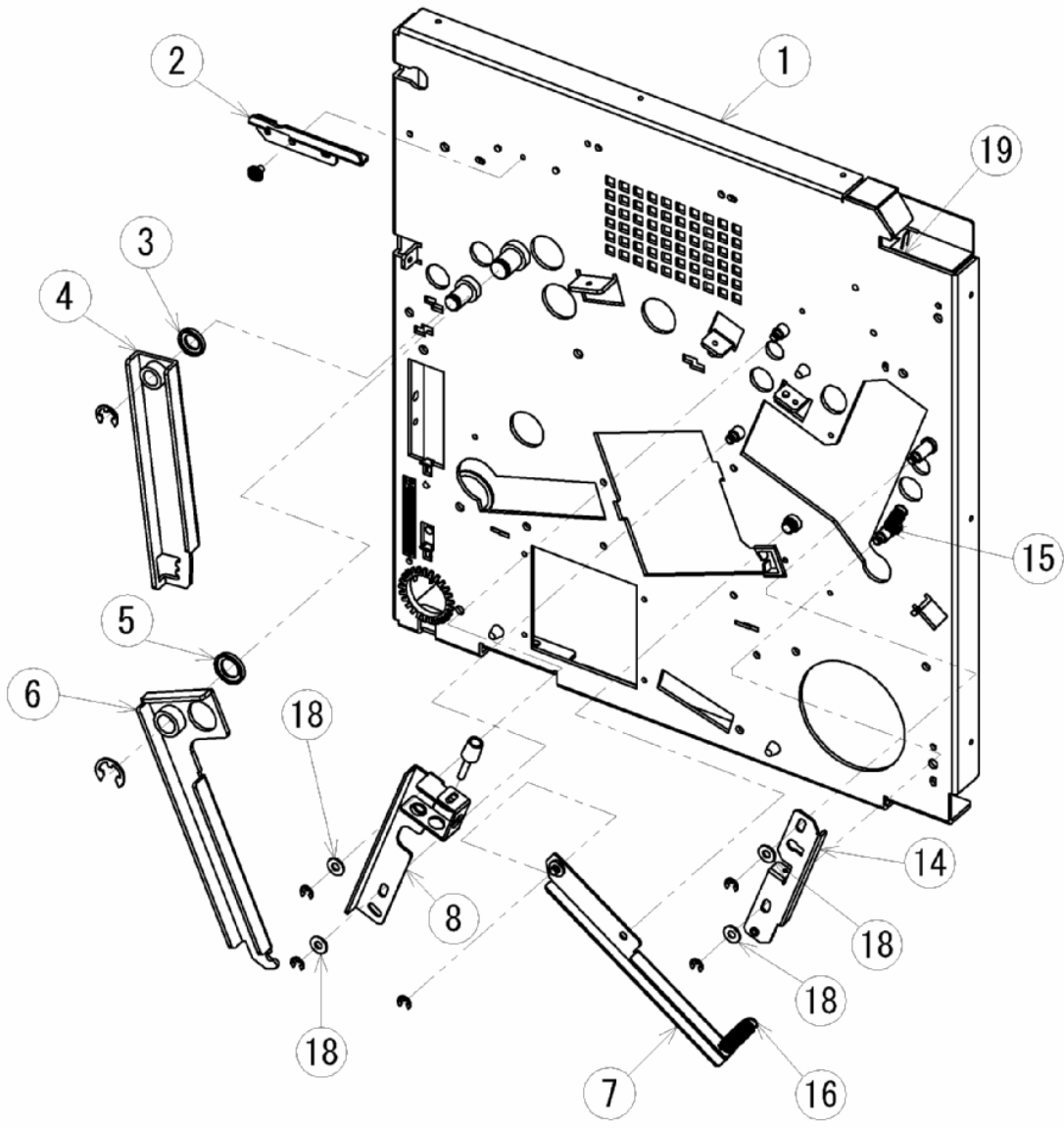


Name	Side Frame L Assy
Part Number	1641105404ES

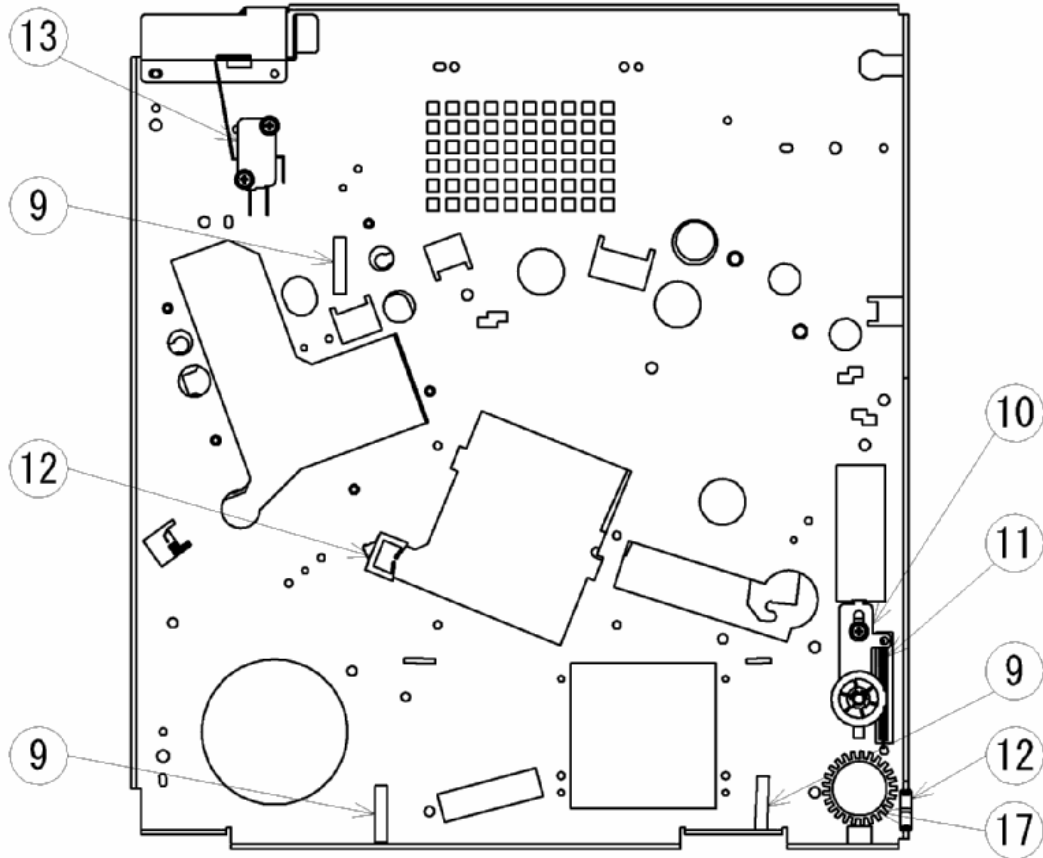


QTY	No	Name	Part No	Fasteners			Remarks
				Name	Part No	QTY	
1	1	Frame, Maine L	1641116725ES				
1	2	Spacer, Pinch Lever	1641116289ES				
1	3	Lever, Pinch Roller	1641116208051ES	E-ring	STP-E8	1	
1	4	Spacer, Pinch Lever	1641116289051ES				
1	5	Lever, Maine PinchPress	1641117463051ES	E-ring	STP-E6	1	
1	6	Lever, Transport Pinch L	1641116223ES	E-ring	STP-E3	3	
1	7	Lever, Transport PinchPress	1641116224ES	E-ring	STP-E4	1	
1	8	Gear26	1641112007ES	E-ring	STP-E4	1	
4	9	Gear69	060050143ES	E-ring	STP-E4	4	
5	10	Washer4	EWP- 4-CRF				
1	11	Cable Upper Cover Switch B	0705850283ES	+screw	ESWG-M3X25-CRF	2	
7	12	Locking wire saddle	060648057052ES				
1	13	Lever, Ejection Pinch L	1641116276ES	E-ring	STP-E3	2	
1	14	Spring	0705701008056ES				
1	15	Spring	060570128DE514				
1	16	Edge saddle	060648056051				
1	17	Edge saddle	060648056				
1	18	Bush	060641515				

Name	Side Frame L Assy
Part Number	1641105404ES

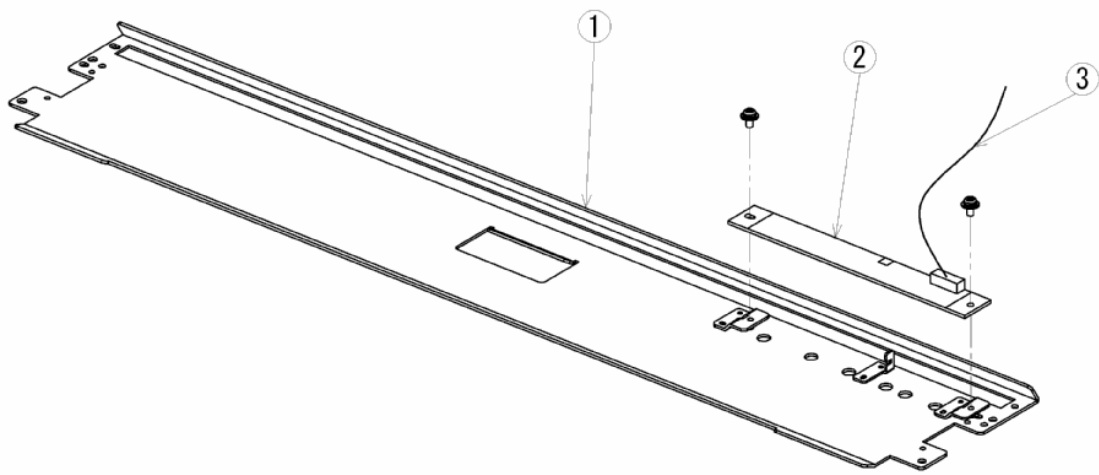


Name	Side Frame R Assy
Part Number	1641105405ES



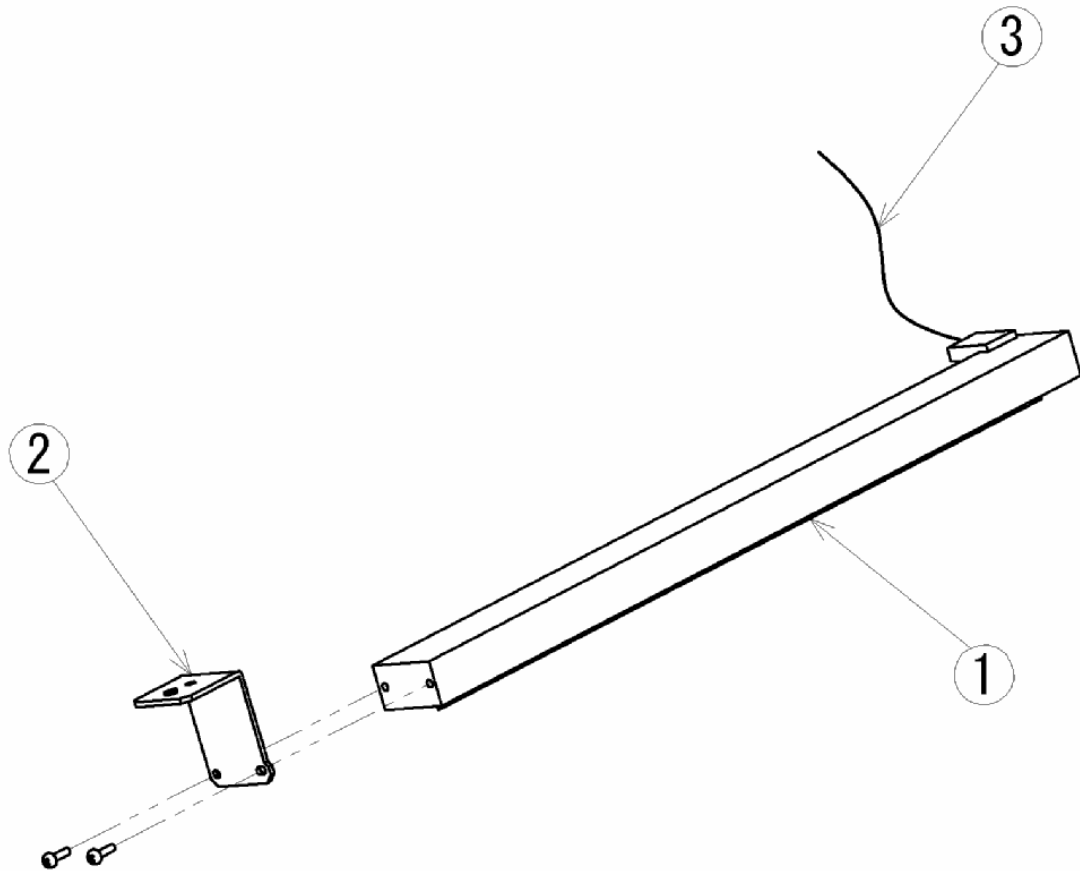
QTY	No	Name	Part No	Fasteners			Remarks
				Name	Part No	QTY	
1	1	Frame, Maine R	1641116724ES				
1	2	Guide ,Upper Stopper	1641116570ES	+screw	ESWG-M3X6-CRF	1	
1	3	Spacer, Pinch Lever	1641116289051ES				
1	4	Lever, Maine Pinch Press	1641117463ES	E-ring	STP-E6	1	
1	5	Spacer, Pinch Lever	1641116289ES				
1	6	Lever, Pinch Roller	1641116208ES	E-ring	STP-E8	1	
1	7	Lever, Transport Pinch Press	1641116224051ES	E-ring	STPE3	1	
1	8	Lever, Transport Pinch R Assy	1641105512ES	E-ring	STPE3	2	
3	9	Locking wire saddle	060648057052ES				
1	10	Tension Pulley Assy	1641105347ES	+screw	ESWG-M3X6-CRF	1	
1	11	Spring	060570121DE238				
1	12	Edge saddle	060648056				
1	13	Cable Upper Cover Switch F	0705850278ES	+screw	ESWG-M3X12-CRF	2	
1	14	Lever, Ejection Pinch R	1641116225ES	E-ring	STP-E3	2	
1	15	Spring	0705701008056ES				
1	16	Spring	060570128DE514				
1	17	Bush	060641515				
5	18	Washer4	EWP-4-CRF				

Name	Side Frame R Assy
Part Number	1641105405ES



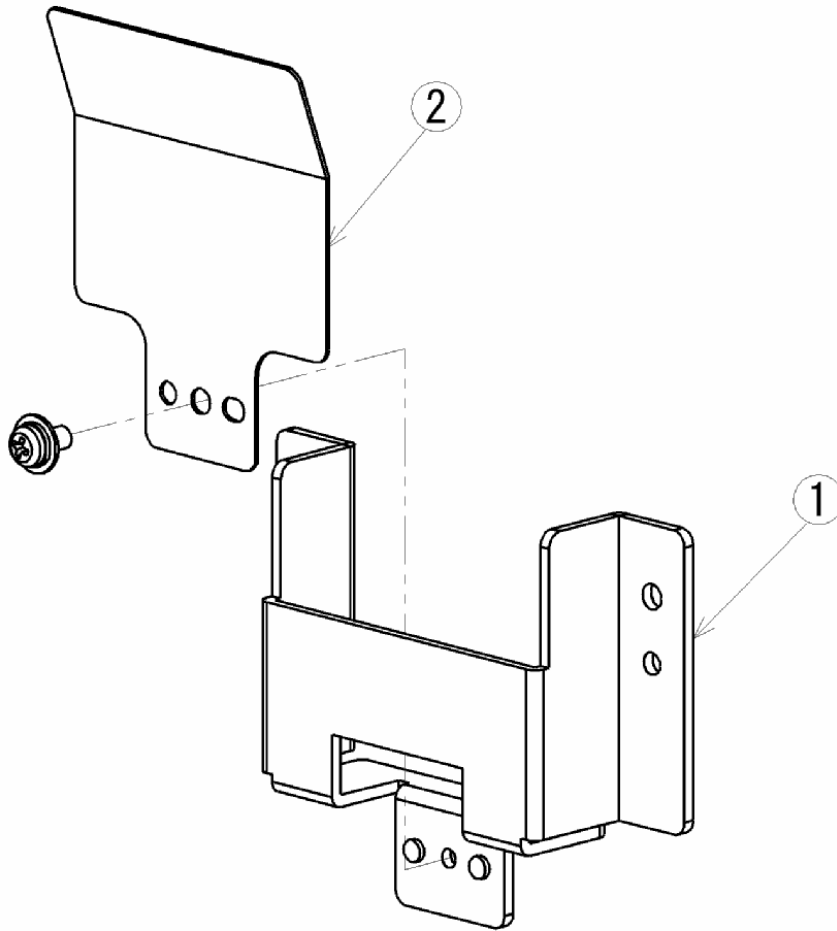
QTY	No	Name	Part No	Fasteners			Remarks
				Name	Part No	QTY	
1	1	Guide, Transport, Lower	1641116665ES				
1	2	HSSV14 PARERSEN F Assy	1609001601051ES	+screw	ESWG-M3X6-CRF	2	
1	3	Cable Print Position/ Plate Size Sensor	0705850282ES				

Name	Guide Transport Lower Assy
Part Number	1641105386ES



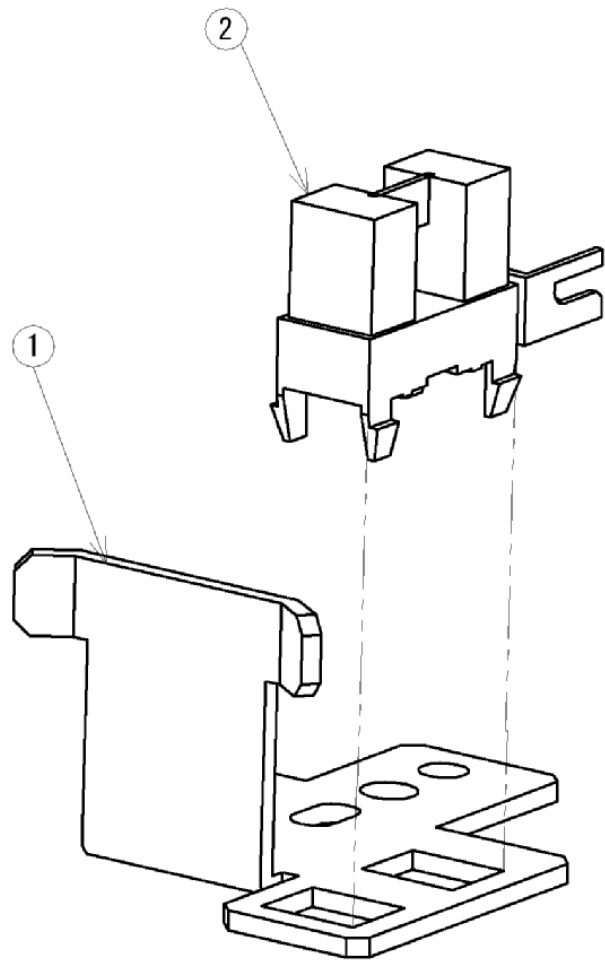
QTY	No	Name	Part No	Fasteners			Remarks
				Name	Part No	QTY	
1	1	CCD IA3008MB30A	1641190144ES				Maintenance Parts Important Parts
1	2	Holder, CCD	1641116261ES	+screw	0701100001003ES	2	
1	3	Cable CCD	0705850227ES				

Name	CCD Assy
Part Number	1641105389ES



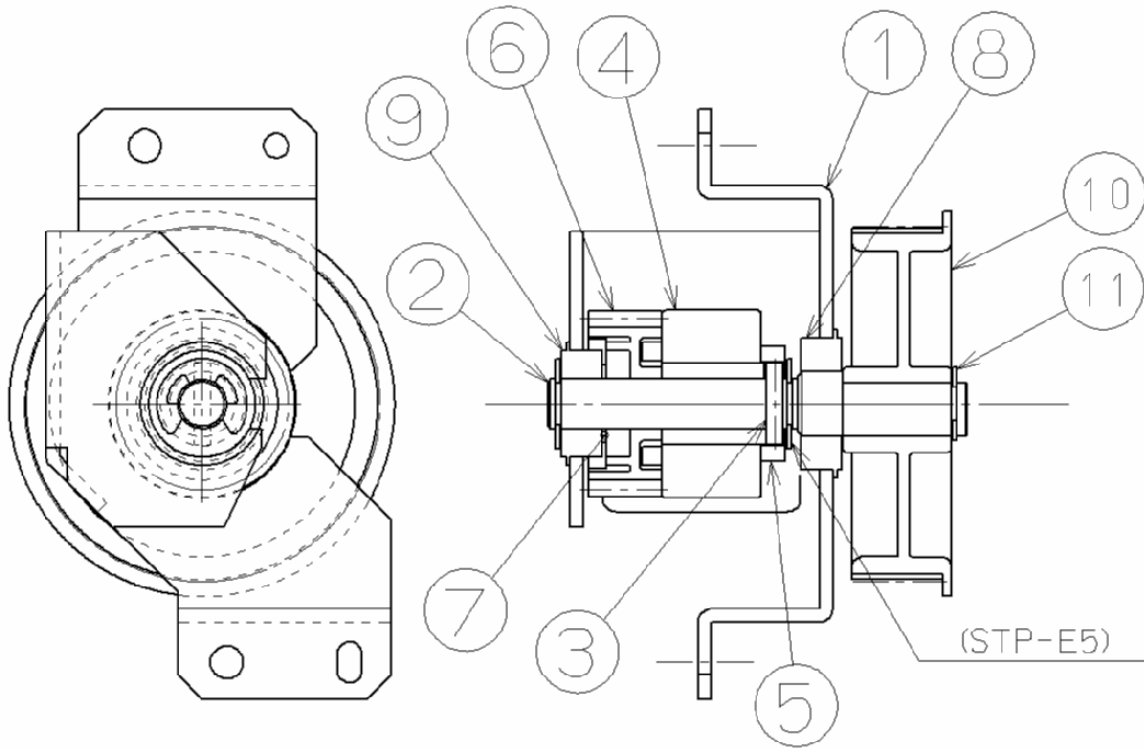
QTY	No	Name	Part No	Fasteners			Remarks
				Name	Part No	QTY	
1	1	Stopper, Spool, L	1641117078ES				
1	2	Spring, Spool	1641116262051ES	+screw	ESWG-M3X6-CRF	1	

Name	Stopper Spool L Assy
Part Number	1641105508ES



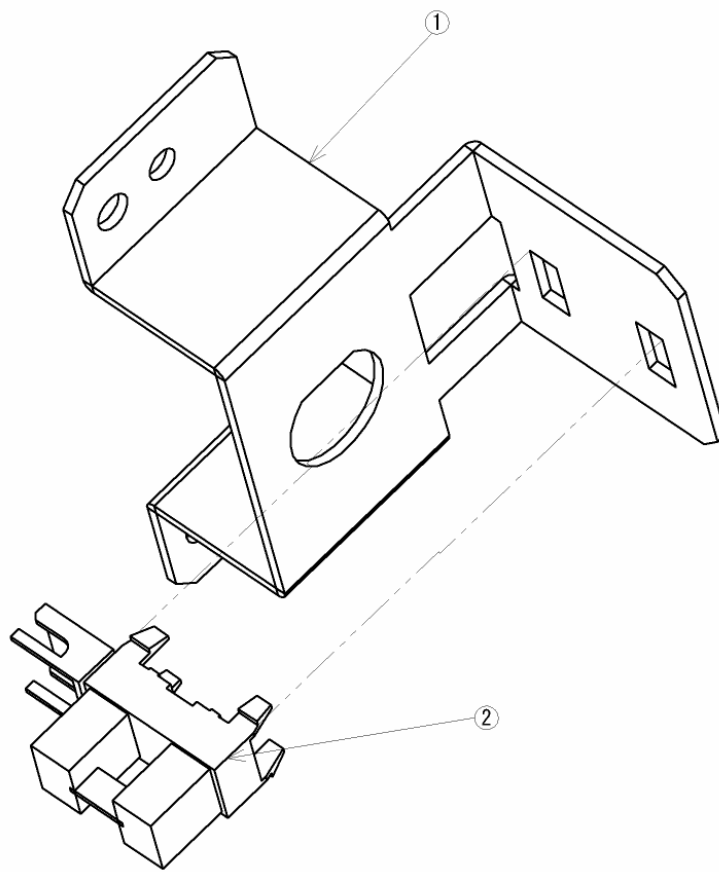
QTY	No	Name	Part No	Fasteners			Remarks
				Name	Part No	QTY	
1	1	Holder, Sensor	1641116602ES				
1	2	Sensor TLP1243(C8)	ESNRRAY-T-097				

Name	Holder, Roll Cover Sensor Assy
Part Number	1641105352ES



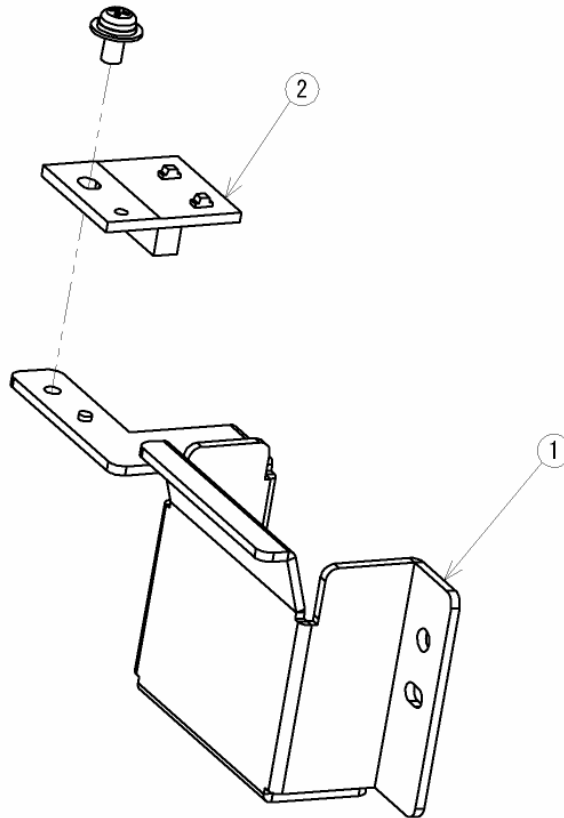
QTY	No	Name	Part No	Fasteners			Remarks
				Name	Part No	QTY	
1	1	Holder, Roll Drive Gear	1641115940ES				
1	2	Shaft, Roll Drive	1641115934ES				
1	3	Parallel Pin	PPH-2X10-SUS				
1	4	Torque Limiter OTL680012	060913983054ES				
1	5	Collar	060261000011ES	E-ring	STP-E5	1	
1	6	Gear21	0700503024ES				
1	7	Washer STW6X0.5	060930012076ES				
1	8	Bearing 688ZZNR	060910115ES				
1	9	Bearing 686T12ZZNR	060910114ES	E-ring	STP-E5	1	
1	10	Timing Pulley 67	0700172005ES				
1	11	E-ring 4	STP-E4				

Name	Roll, Drive Assy
Part Number	1641105067ES



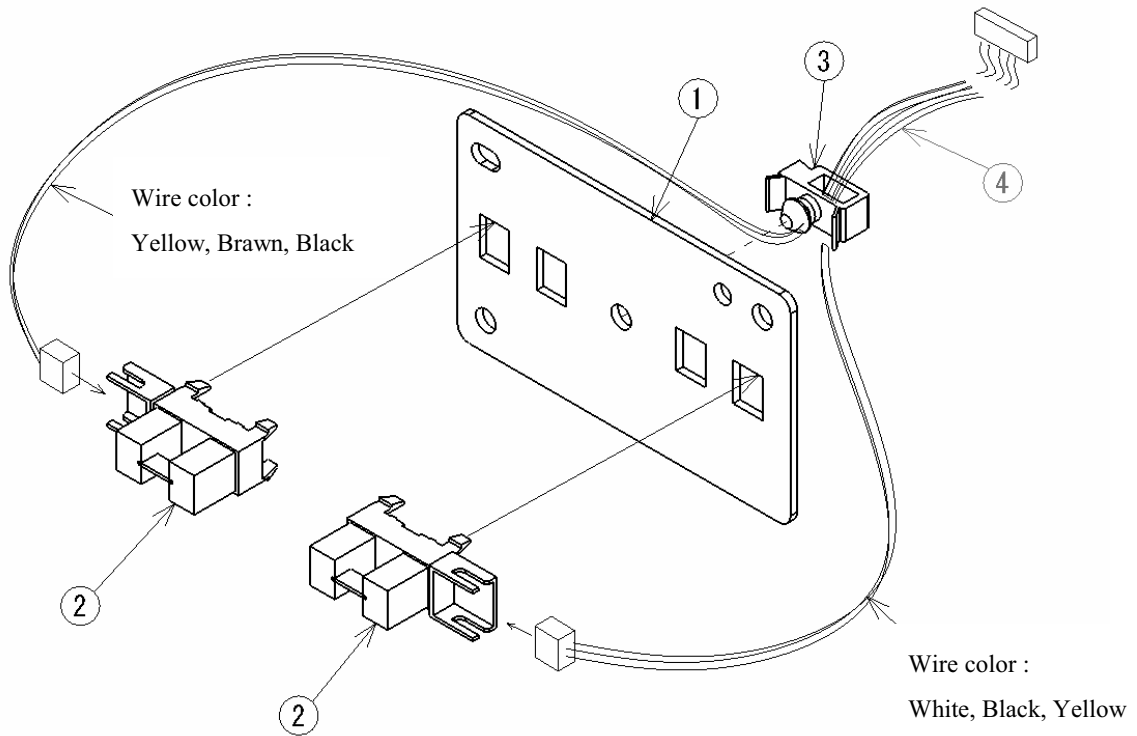
QTY	No	Name	Part No	Fasteners			Remarks
				Name	Part No	QTY	
1	1	Holder, Sensor, Encorde	1641116255ES				
1	2	Sensor TLP1243(C8)	ESNRRAY-T-097				

Name	Holder, Roll Encorde Sensor Assy
Part Number	1641105349ES



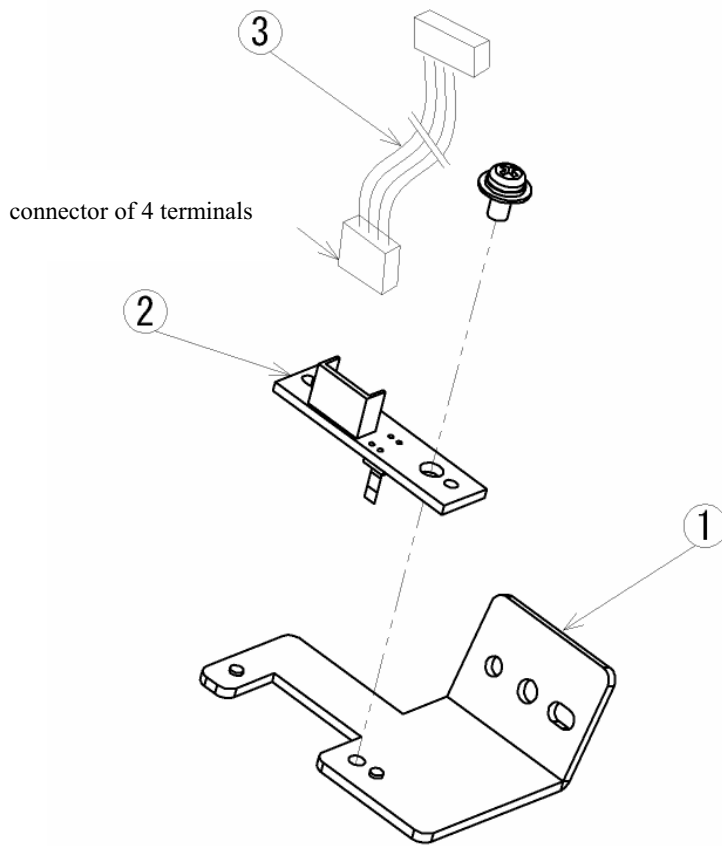
QTY	No	Name	Part No	Fasteners			Remarks
				Name	Part No	QTY	
1	1	Stopper, Spool ,R	1641116258ES				
1	2	HSS LED F Assy	1641190151ES	+screw	ESWG-M3X6-CRF	1	Maintenance Parts

Name	Stopper, Spool R Assy
Part Number	1641105351ES



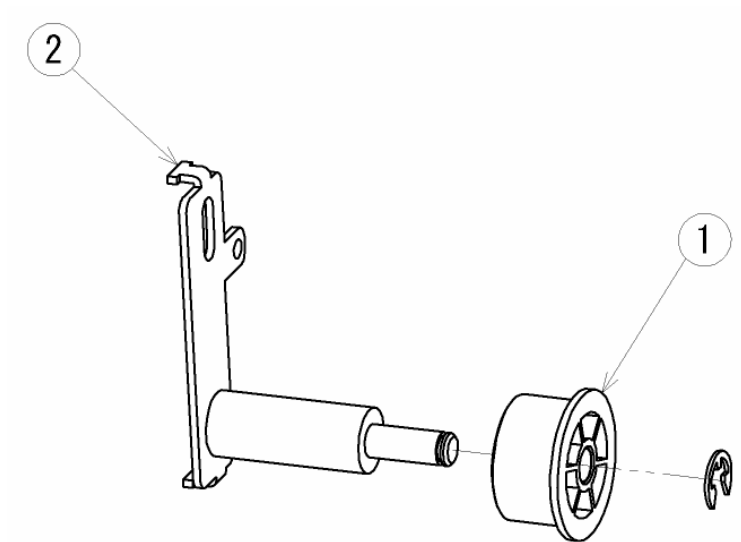
QTY	No	Name	Part No	Fasteners			Remarks
				Name	Part No	QTY	
1	1	Holder, Maine Pinch Sensor	1641116251ES				
2	2	SensorTLP1243(C8)	ESNRRAY-T-097				
1	3	Mini locking wire saddle	060648060ES				
1	4	Cable Maine Pinch Sensor	0705850220ES				

Name	Maine Pinch Sensor Assy
Part Number	1641105354ES



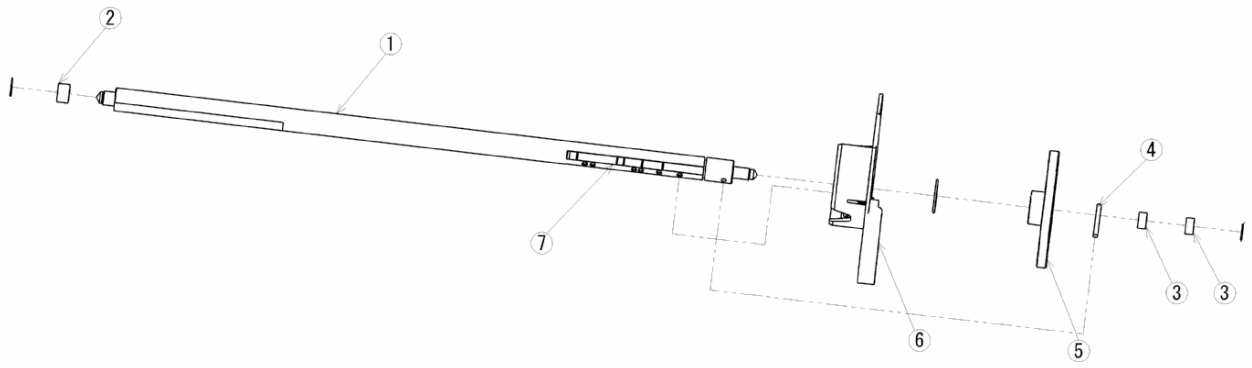
QTY	No	Name	Part No	Fasteners			Remarks
				Name	Part No	QTY	
1	1	Holder, Plate End Sensor	1641116591ES				
1	2	HSS SEN F Assy	1609001454ES	+screw	ESWG-M3X6-CRF	1	
1	3	Cable Plate Empty Sensor	0705850216ES				

Name	Sensor, Plate Empty Assy
Part Number	1641105344ES



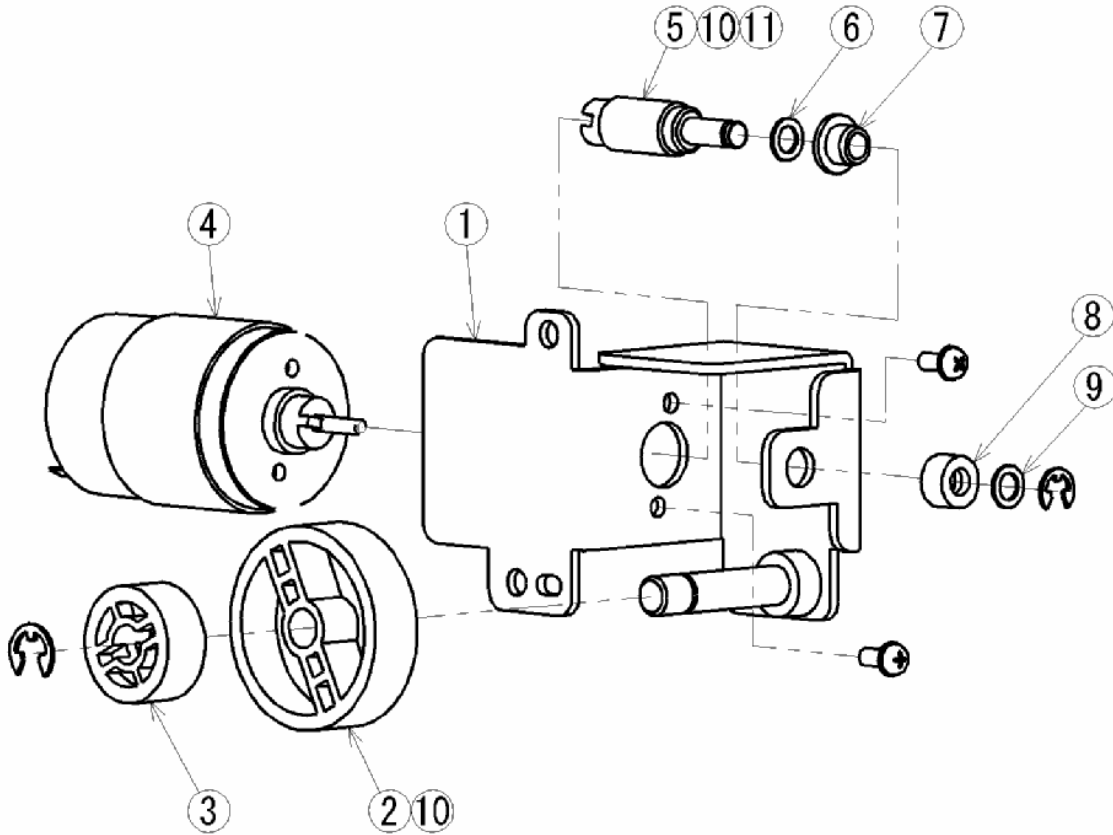
QTY	No	Name	Part No	Fasteners			Remarks
				Name	Part No	QTY	
1	1	Tension Pulley	1641114368ES	E-ring	STP-E4	1	
1	2	Holder, Tension Pulley	1641116571ES				

Name	Tension Pulley Assy
Part Number	1641105347ES



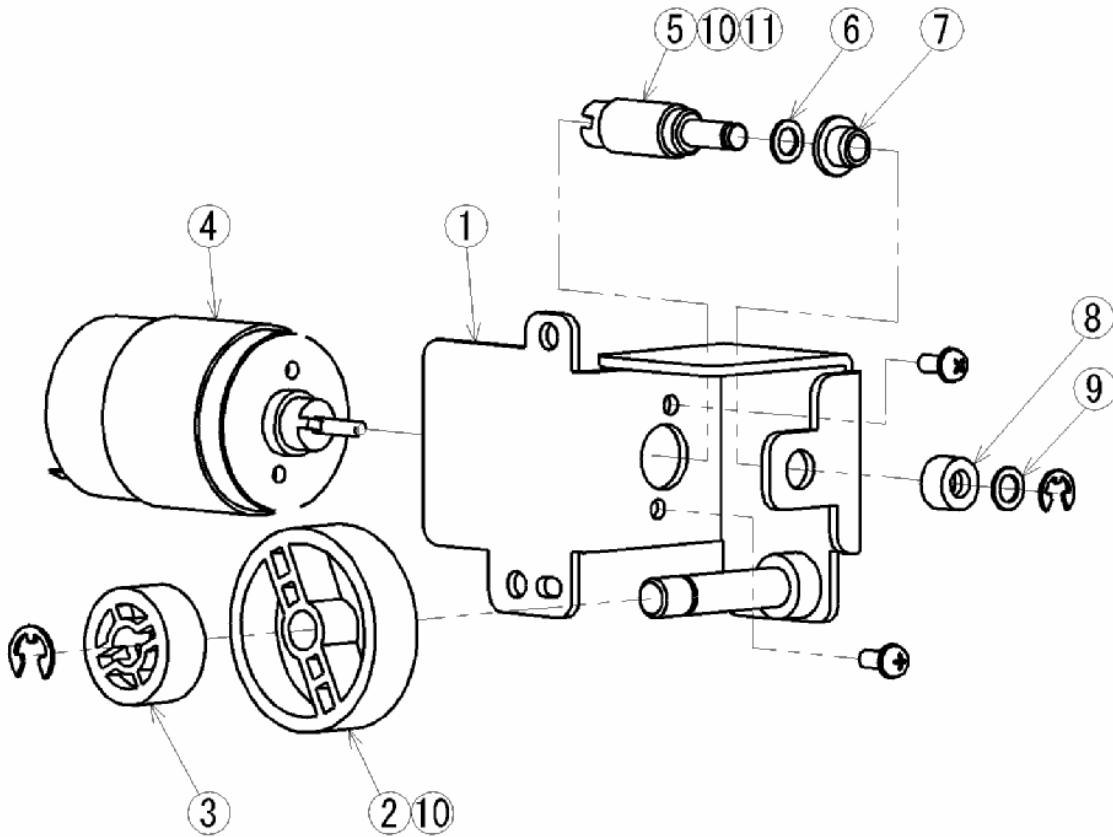
QTY	No	Name	Part No	Fasteners			Remarks
				Name	Part No	QTY	
1	1	Shaft, Spool	1641117180ES				
1	2	Sleeve Bearing(B-S12-10)	060930092B-S12-10	E-ring	STP-E8	1	
2	3	Bearing(B-S10-25)	0709300008ES	E-ring	STP-E7	1	
1	4	Parallel Pin	PPH-4X34-SUS				
1	5	Gear 100	0700503061ES	E-ring	STP-E15	1	
1	6	Flange, Plate, R Assy	1641190153ES				Maintenance Parts
1	7	Sticker, Spool, Plate Set	1641133308ES				

Name	Spool Shaft Assy
Part Number	1641190209051ES



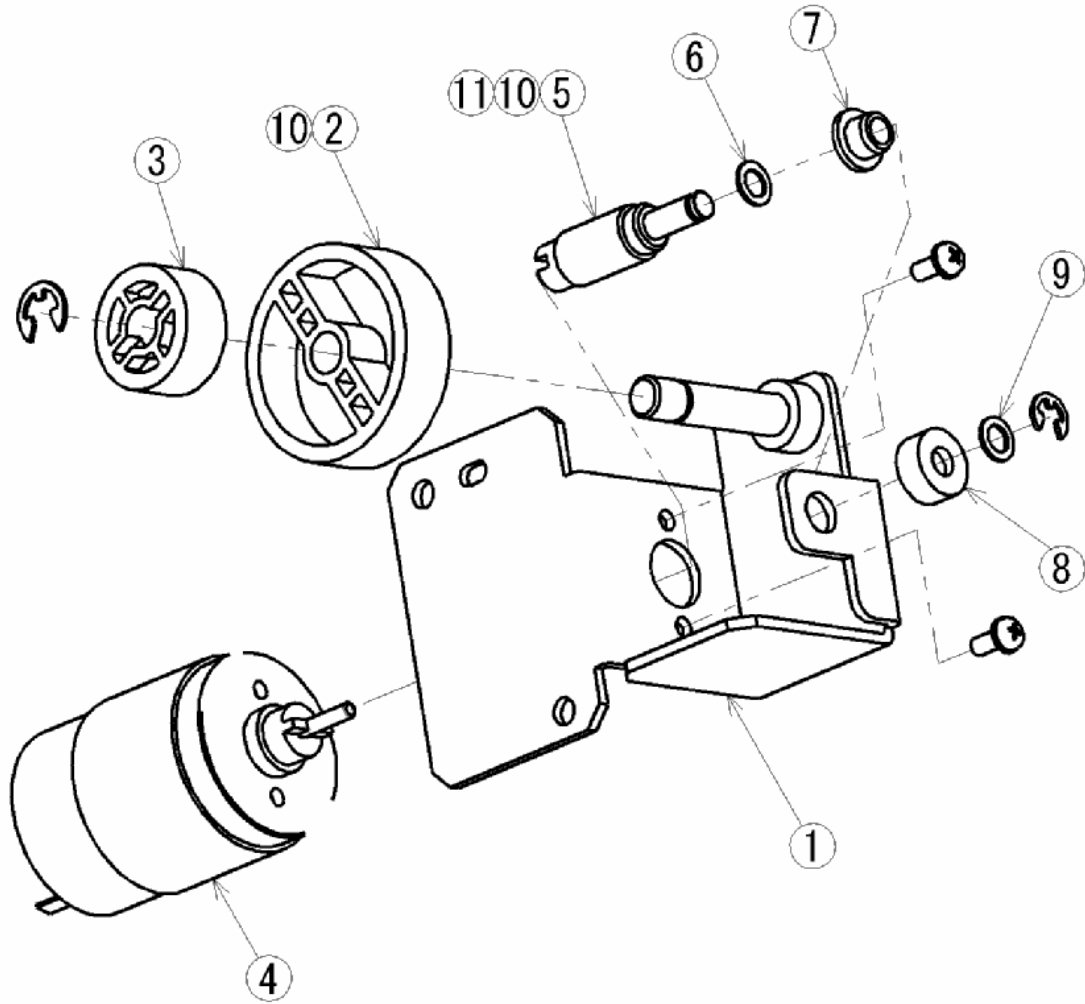
QTY	No	Name	Part No	Fasteners			Remarks
				Name	Part No	QTY	
1	1	Holder, Pinch Roller Motor	1641112784ES				
1	2	Gear 52(Helical)	060050144ES				
1	3	Gear 18	060050320ES	E-ring	STP-E4	1	
1	4	DC Motor Assy	1641107032053ES	+Screw	ESWC-M2.6×6-CRF	2	
1	5	Warm	1641104064ES				
1	6	Washer $\phi 4.1 \times 0.5t$	060930012067ES				
1	7	Flange Bush	060930080051ES				
1	8	Stopper, Warm Shaft	1641112764ES				
1	9	Washer $\phi 4.1 \times 0.5t$	060930012067ES	E-ring	STP-E3	1	
Some	10	Grease PG-662	0709170032ES				
Some	11	Shell Tellus Oil 32	0709170023ES				

Name	DC Motor Assy(Head)
Part Number	1641190141ES



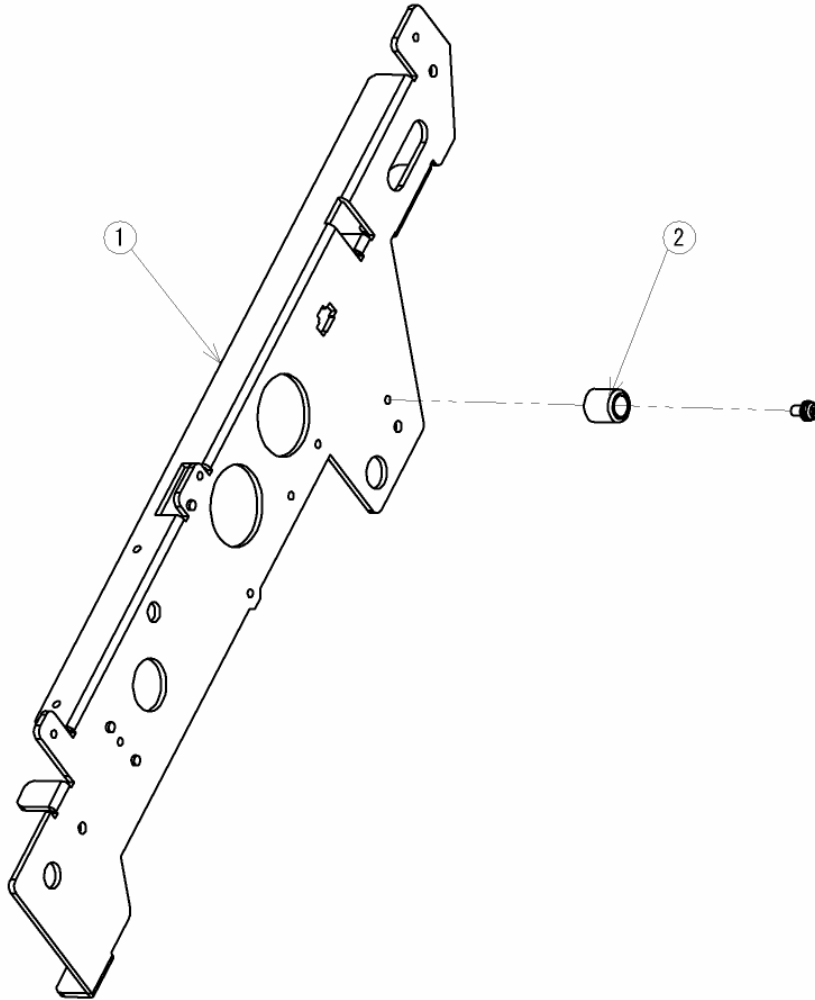
QTY	No	Name	Part No	Fasteners			Remarks
				Name	Part No	QTY	
1	1	Holder, Pinch Roller Motor	1641112903ES				
1	2	Gear 52(Helical)	060050144ES				
1	3	Gear 18	060050320ES	E-ring	STP-E4	1	
1	4	DC Motor Assy	1641107032053ES	+Screw	ESWC-M2.6×6-CRF	2	
1	5	Warm	1641104064ES				
1	6	Washer $\phi 4.1 \times 0.5t$	060930012067ES				
1	7	Flange Bush	060930080051ES				
1	8	Stopper, Warm Shaft	1641112764ES				
1	9	Washer $\phi 4.1 \times 0.5t$	060930012067ES	E-ring	STP-E3	1	
Some	10	Grease PG-662	0709170032ES				
Some	11	Shell Tellus Oil 32	0709170023ES				

Name	DC Motor Assy(Main Pinch)
Part Number	1641190142ES



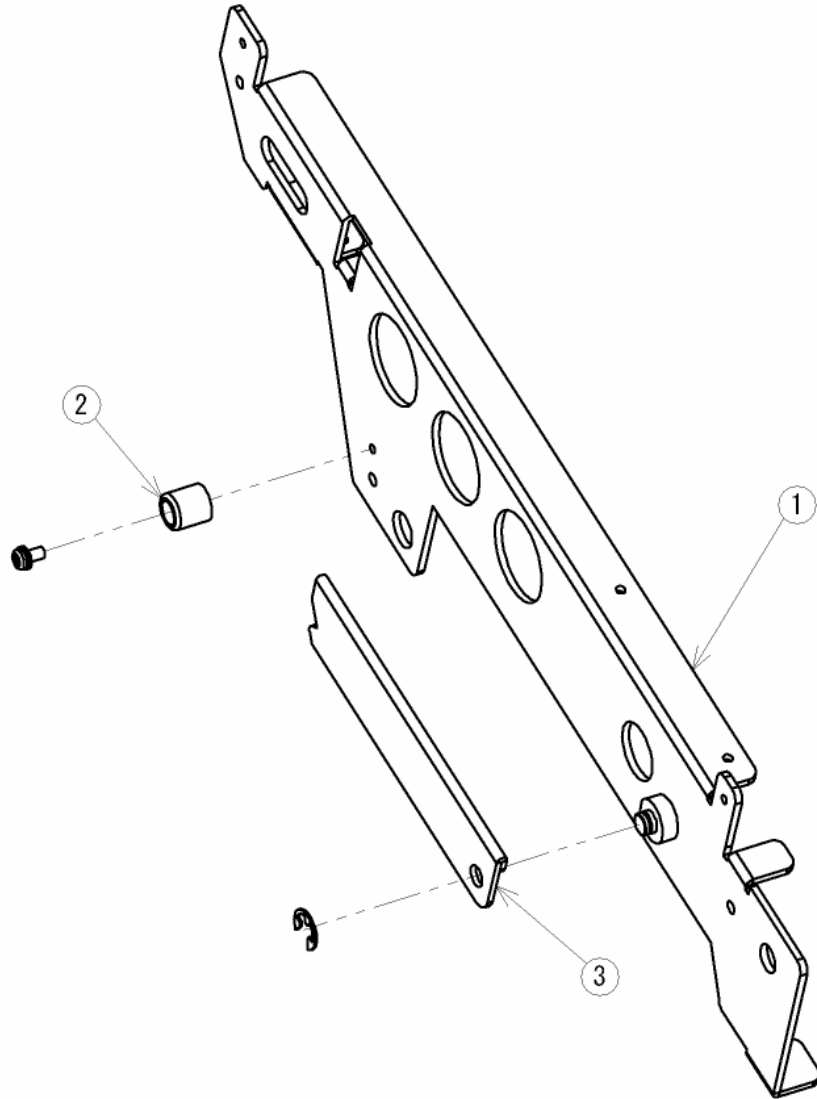
QTY	No	Name	Part No	Fasteners			Remarks
				Name	Part No	QTY	
1	1	Holder, Pinch Roller Motor	1641112903ES				
1	2	Gear 52 (Helical)	060050144ES				
1	3	Gear 18	060050320ES	E-ring	STP-E4	1	
1	4	DC Motor Assy	1641107032051ES	+Screw	ESWC-M2.6 × 6-CRF	2	
1	5	Warm	1641104064ES				
1	6	Washer $\phi 4.1 \times 0.5t$	060930012067ES				
1	7	Flange Bush	060930080051ES				
1	8	Stopper, Warm Shaft	1641112764ES				
1	9	Washer $\phi 4.1 \times 0.5t$	060930012067ES	E-ring	STP-E3	1	
Some	10	Grease PG-662	0709170032ES				
Some	11	Shell Tellus Oil 32	0709170023ES				

Name	DC Motor Assy (Sub Pinch)
Part Number	1641190143ES



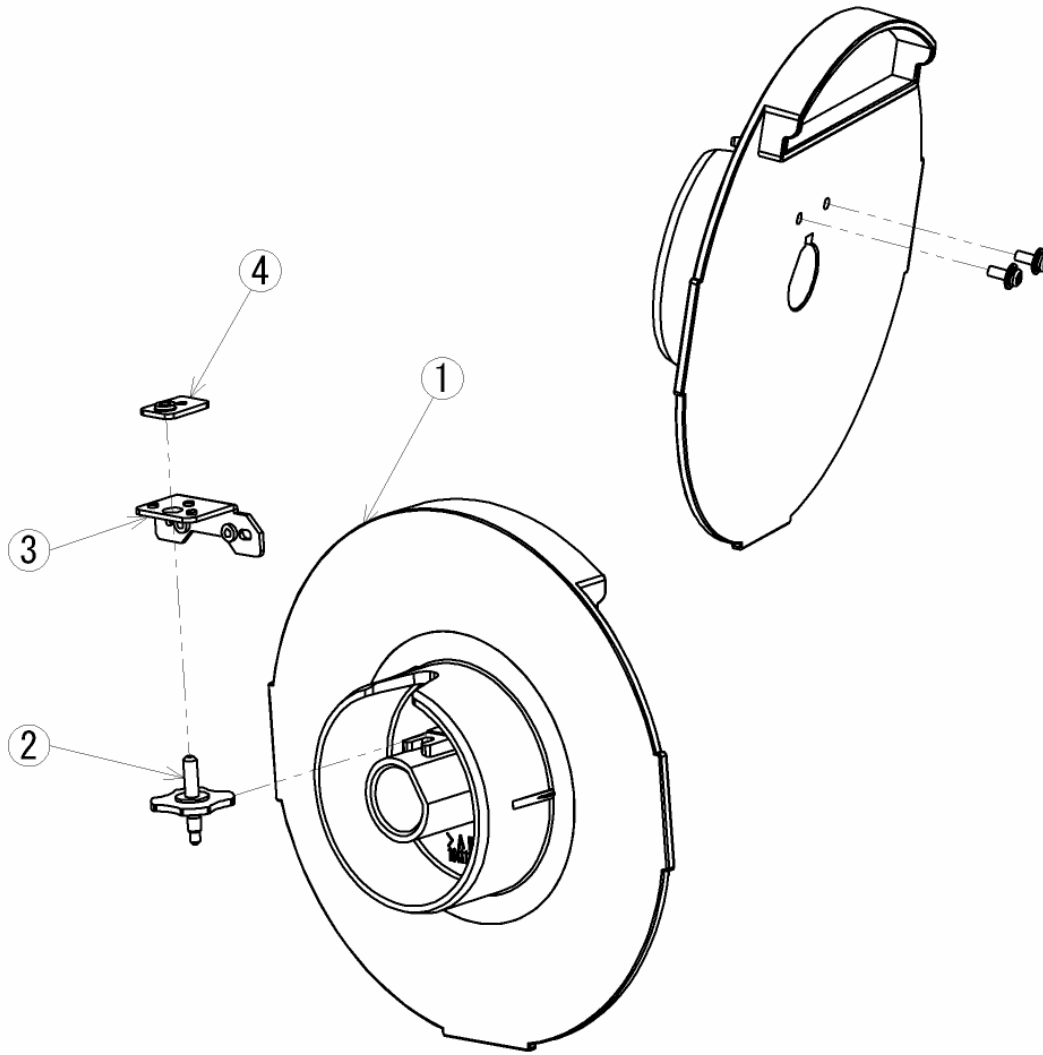
QTY	No	Name	Part No	Fasteners			Remarks
				Name	Part No	QTY	
1	1	Frame, Upper L	1641116115ES				
1	2	Guide, Upper Unit	1641114417	+screw	ESWF-M3X6-CRF	1	

Name	Frame, Upper L Assy
Part Number	1641105336ES



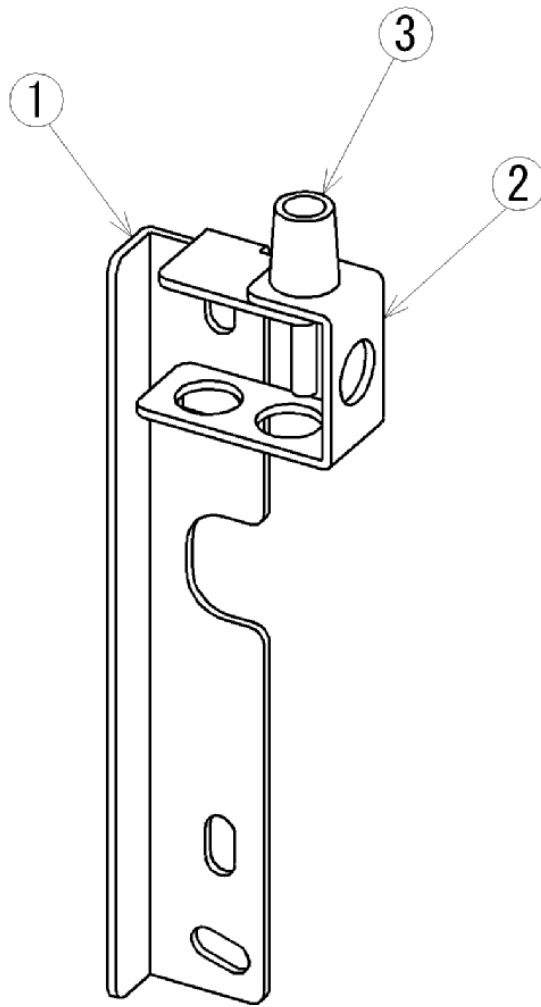
QTY	No	Name	Part No	Fasteners			Remarks
				Name	Part No	QTY	
1	1	Frame, Upper R	1641116114ES				
1	2	Guide, Upper Unit	1641114417	+screw	ESWF-M3X6-CRF	1	
1	3	Plate, Upper Stopper	1641116564ES	E-ring	STP-E5	1	

Name	Frame, Upper R Assy
Part Number	1641105337ES



QTY	No	Name	Part No	Fasteners			Remarks
				Name	Part No	QTY	
1	1	Flange, Plate, R	1641116610ES				
1	2	Flange Set Screw Assy	1641105381ES				
1	3	Holder, Tap Plate	1641116777ES	+screw	ESWG-M3X8-CRF	2	
1	4	Plate, Nut B	1641116776ES				

Name	Flange, Plate, R Assy
Part Number	1641190153ES



QTY	No	Name	Part No	Fasteners			Remarks
				Name	Part No	QTY	
1	1	Lever, Transport Pinch R	1641117120ES				
1	2	Spacer, Transport Shaft	1641117119ES				
1	3	Screw	0701100014ES				

Name	Lever, Transport Pinch R Assy
Part Number	1641105512ES

